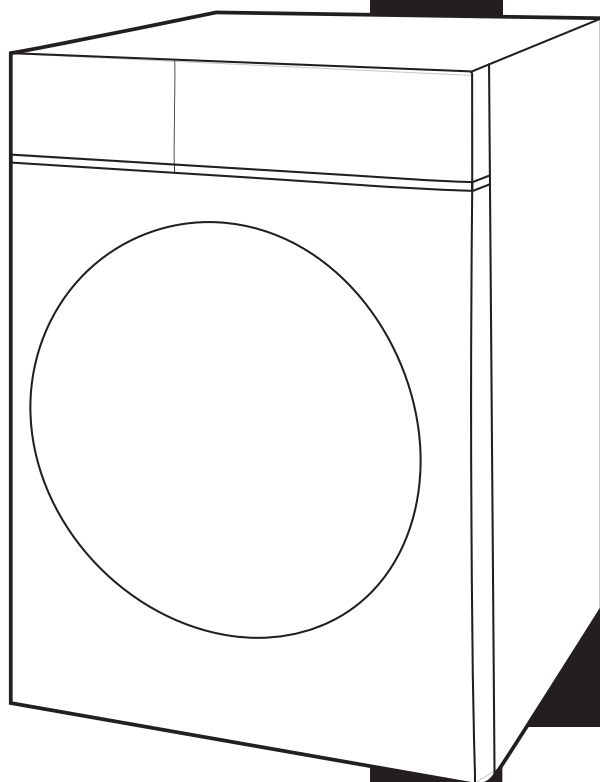


comfee'

Front Loading Washer Dryer

Instruction Manual

CFP03EDI00W-IT



Read This Manual: Read all instructions and explanations for the installation before use. Follow the instructions carefully. Keep the operation instructions handy for later use.

If the appliance is sold or passed on, ensure that the new owner always receives this operation instructions.

THANK YOU LETTER

Thank you for choosing COMFEE ! Before using your new COMFEE product, please read this manual thoroughly to ensure that you know how to operate the features and functions that your new appliance offers in a safe way.

CONTENTS

THANK YOU LETTER	01
SAFETY INSTRUCTIONS	02
SPECIFICATIONS	06
PRODUCT OVERVIEW	07
QUICK START GUIDE	08
PRODUCT INSTALLATION	11
OPERATION INSTRUCTIONS	15
CLEANING AND MAINTENANCE	29
TROUBLE SHOOTING	34
DISPOSAL AND RECYCLING	35
WARRANTY CARD	36



CAUTION: HOT SURFACE !



CAUTION: RISK OF FIRE !



Read all instructions and explanations before use. Follow the instructions carefully. Keep the operation instructions handy for later use. If the appliance is sold or passed on then ensure that the new owner always receives these operation instructions.

SAFETY INSTRUCTIONS

Intended Use

The product is intended only for home use and for textiles in household amounts suitable for washing. This appliance is for indoor use only and not intended for built in use. Only use according to these instructions. The appliance is not intended for commercial use.

Any other use is considered as improper use. The producer is not responsible for any damage or injury that may result from it.

This appliance is intended to be used in household and similar applications such as:

- Staff kitchen areas in shops, offices and other working environments;
- Farm houses;
- By clients in hotels, motels and other residential type environments;
- Bed and breakfast type environments;
- Areas for communal use in blocks of flats.

Explanation of Symbols



DANGER

This symbol indicates that there are dangers to the life and health of persons due to extremely flammable gas.



WARNING OF ELECTRICAL VOLTAGE

This symbol indicates that there is a danger to life and health of persons due to voltage.



WARNING

The signal word indicates a hazard with a medium level of risk which, if not avoided, may result in death or serious injury.



CAUTION

The signal word indicates a hazard with a low degree of risk which, if not avoided, may result in minor or moderate injury.



NOTE

The signal word indicates important information (e.g. damage to property), but not danger.



OBSERVE INSTRUCTIONS

This symbol indicates that a service technician should only operate and maintain this appliance in accordance with the operating instructions.

Please read the following safety information thoroughly and follow it strictly to minimize the risk of fire or explosion, electric shock and to prevent property damage, personal injury or loss of life. Failing to follow these instructions shall void any warranty.

This appliance is not intended for use by persons (including children) with reduced physical, sensory or mental capabilities, or lack of experience and knowledge, unless they have been given supervision or instruction concerning use of the appliance by a person responsible for their safety.

WARNING: Electric Shock Hazard

- If the supply cord is damaged, it must be replaced by the manufacturer, its service agent or similarly qualified persons in order to avoid a hazard.
- If the machine is damaged, it must not be operated unless repaired by the manufacturer, its service agent or similarly qualified persons.
- Risk of electric shock!
- The appliance can be used by children aged from 8 years and above and persons with reduced physical, sensory or mental capabilities or lack of experience and knowledge if they have been given supervision or instruction concerning use of the appliance in a safe way and understand the hazards involved. Children shall not play with the appliance. Cleaning and user maintenance shall not be made by children without supervision.
- Children should be supervised that they do not play with the appliance.
- Children of less than 3 years should be kept away unless continuously supervised.
- Animals and children may climb into the machine. Check the machine before every operation.
- Do not climb or sit on the appliance.

Installation Location and Surrounding

- All washing and additional substances are to be kept in a safe place out of the reach of children.
- Do not install the machine on a carpet floor.
- The obstruction of the openings by a carpet can damage the machine.
- Keep the appliance clear from heating sources and direct sunlight to avoid plastic and rubber parts to corrode.
- Do not use the appliance in humid environments or rooms containing explosive or caustic gas. In case of water leakage or water splashes, let the appliance dry in the open air.
- The appliance must not be installed behind a lockable door, a sliding door or a door with a hinge on the opposite side to that of the machine .
- Do not operate the machine in rooms with a temperature of below 5°C. This can cause damages to parts of it. If it is unavoidable, make sure to drain the water completely from the appliance after every use (see“Maintenance - Cleaning of drain pump filter”) to avoid damages caused by frost.
- Never use flammable sprays or substances in the immediate proximity of the appliance.
- That lint must not be allowed to accumulate around the washer dryer (not applicable for appliances intended to be vented to the exterior of the building).

Installation

- Remove all packaging material and transport bolts before using the appliance. Otherwise, serious damage may result.
- This appliance is equipped with a single inlet valve and can be connected to the cold water supply only.
- Mains plug must be accessible after installation.
- Before washing clothes for the first time, the product shall be operated once throughout all the procedures without any clothes inside.
- Before using the machine, the product shall be calibrated.
- Do not put any excessively heavy objects on the appliance, like water containers or heating devices.

- The new hose-sets supplied with the appliance are to be used and that old hose-sets should not be reused.
- Max. Inlet water pressure 1 MPa. Min. inlet water pressure 0.05 MPa.

Electrical Connection

- Make sure the supply cable is not trapped by the machine, or it can get damaged.
- Connect the product to a grounded outlet protected by a fuse complying with the values in the "Technical specifications" table. The grounding installation has to be made by a qualified electrician. Ensure that the machine is installed in accordance with the local regulations.
- Water and electrical connections must be carried out by a qualified technician in accordance with the manufacturer's instructions and local safety regulations.



WARNING:

- Don't use multiple plugs or extension cords.
- The appliance must not have an external switching device such as a timer or connected to a circuit that is regularly switched on and off.
- Do not pull the plug out of the mains outlet if there is flammable gas around.
- Never pull out power plug with wet hands.
- Always pull at the plug, not at the cable.
- Always unplug the appliance if it is not being used.

Water Connections

- Check the connections of the water inlet tubes, the water tap and the outlet hose for possible problems due to changes of water pressure. If the connections loosen or leak, close the water tap and get it repaired.
- Do not use the appliance before the pipes and hoses are installed properly by qualified persons.
- Glass door may become very hot during the operation. Keep children and pets far away from the machine while it is operating.
- The water inlet and outlet hoses have to be safely installed and remain undamaged.
- Otherwise, water leakage can occur.
- Do not remove the drain pump filter while there is still water in the appliance. Big quantities of water can leak out, and there is a risk of scalding due to hot water.

Operation and Maintenance



WARNING:

- Never stop the machine before the end of the drying cycle unless all items are quickly removed and spread out so that the heat can dissipate.
- The machine is not to be used if industrial chemicals have been used for cleaning. Risk of explosion.

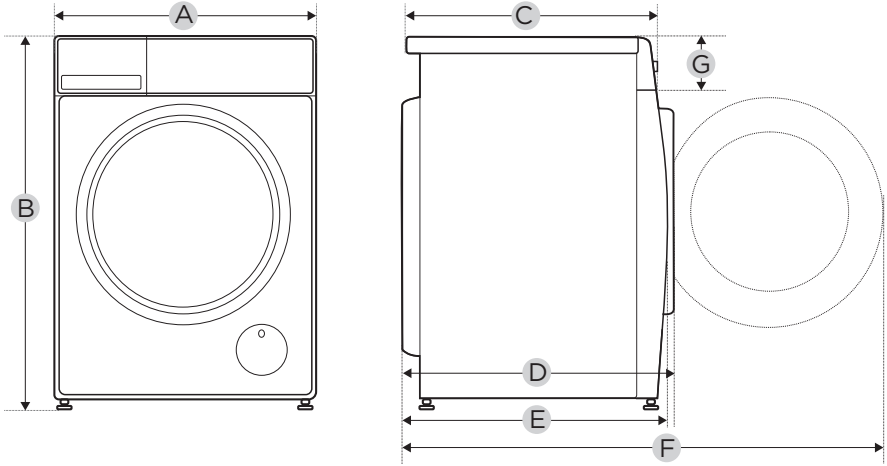
- Never use any flammable, explosive or toxic solvents. Do not use gasoline and alcohol etc. as detergents. Only select detergents that are suitable for machine washing.
- Make sure that all pockets are emptied. Sharp and rigid items such as coins, brooches, nails, screws, stones etc. may cause serious damages to this machine.
- Remove all objects from pockets such as lighters and matches before use the appliance.
- Thoroughly rinse items that have been washed by hand.
- Do not dry unwashed items in the appliance.
- Items that have been soiled with substances such as cooking oil, acetone, alcohol, petrol, kerosene, spot removers, turpentine, wax and wax removers should be washed in hot with an extra amount of detergent before being dried in the appliance.
- Items containing foam rubber (latex foam), shower caps, water proof textiles, rubber backed articles and clothes or pillows fitted with foam rubber pads should not be dried in the machine.
- Fabric softeners or similar products should be used as recommended in their instructions.
- Never try to open the door forcefully.
- The door will unlock shortly after the end of a cycle.
- Please do not close the door with excessive force. If it is found difficult to close the door, please check if the clothes are properly inserted and distributed.
- Always unplug the appliance and close the water tap before cleaning and maintenance and after each use.
- Never pour water over the appliance for cleaning purpose. Risk of electric shock!
- Repairs shall only be carried out by the manufacturer, its service agent or similarly qualified persons in order to avoid a hazard.
- The producer will not be responsible for damages caused by the intervention of not authorized persons.

Transport

- Before Transport:
 - Bolts shall be reinstalled to the machine by a specialized person;
 - Accumulated water shall be drained out of the machine.
- This appliance is heavy. Transport with care. Never hold any protruding part of the machine when lifting. The machine door can not be used as a handle.

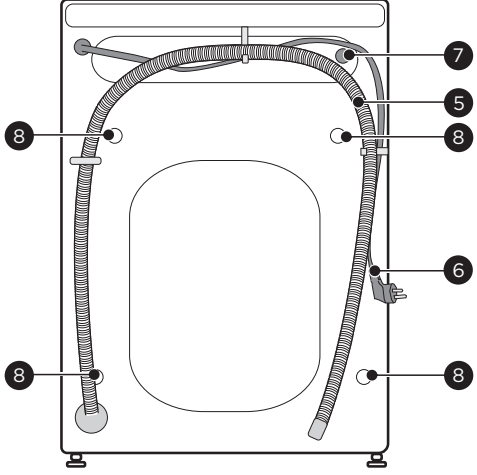
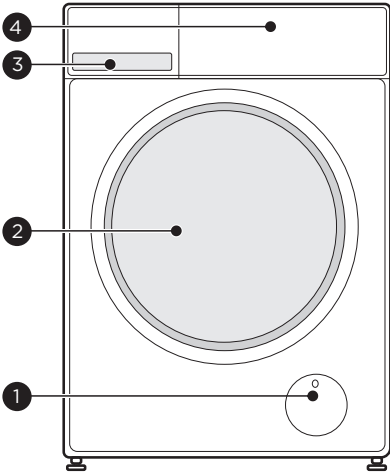
Model	Washing/Drying Capacity
CFP03ED100W-IT	10.0/7.0kg

SPECIFICATIONS



Model	CFP03ED100W-IT
Power Supply	220-240V~, 50Hz
MAX.Current	10A
Standard Water Pressure	0.05MPa-1MPa
Washing Capacity	10.0kg
Drying Capacity	7.0kg
Dimension	
A	595mm
B	850mm
C	535mm
Weight	64kg
Rated Power	1900W
Drying Power	1300W
Reference Dimension	
D	600mm
E	580mm
F	1045mm
G	135mm

PRODUCT OVERVIEW



1	Service flap	5	Drain hose
2	Door	6	Power supply cord
3	Detergent dispenser	7	Inlet valve
4	Control panel	8	Transport bolts

NOTE

The product picture is for illustration only, please refer to real product as reference.

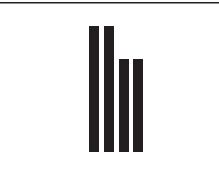
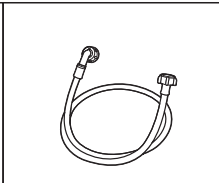
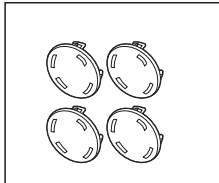
Accessories

4 x Cover caps

1 x Supply hose cold water

1 x Owner's manual

Acoustic sponge (optional)



QUICK START GUIDE



CAUTION

- Before washing, please make sure the machine is installed properly.
- Your appliance was thoroughly checked before it left the factory. To remove any residual water and to neutralize potential odors, it's recommended to clean your appliance before first use. For this reason, recommended to clean the inner drum by running the "Cotton" or other program with the high temperature. Be careful not to put laundry and detergent in the machine.



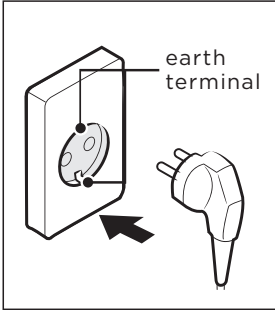
Calibration

It's recommended to calibrate the machine, so that provide the best performance. The appliance is able to detect the amount of laundry loaded. This function is optimizing the product performance by minimizing energy and water consumption, saving you money and time. For this reason it's recommended to calibrate the appliance for best use.

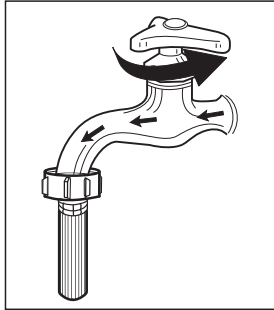
- 1- Remove all accessories from the drum and close the door;
- 2- Insert the mains plug to the socket;
- 3- Switch on the washing machine and press "Spin" and "Care Wash" simultaneously and continuously until "t19" is displayed. ;
- 4- Press [▶||] to start the appliance and wait till "****" is displayed , and then "****" (such as "126") is displayed to indicate the real time drum speed.
If the machine is successfully calibrated, "PAS" will be displayed, otherwise, "FAL" will be displayed.

1. Before Washing

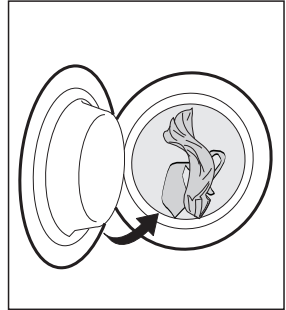
1. Plug in



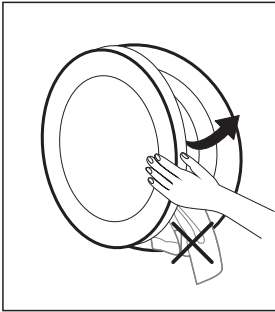
2. Open tap



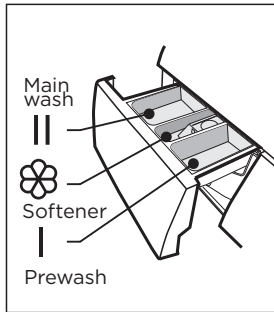
3. Load



4. Close door



5. Add detergent

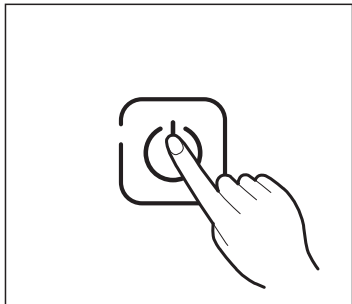


NOTE

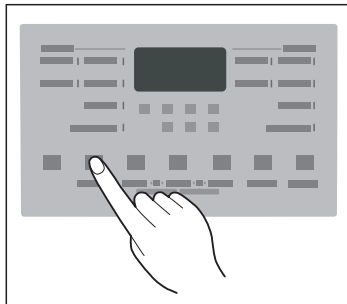
- Detergent need to be added in compartment I if the pre-wash function is selected.
- When closing the door, please make sure that your clothes are not caught between the sealing ring and the machine door to prevent water leakage caused by pulling and damaging the sealing ring during operation.

2. Washing

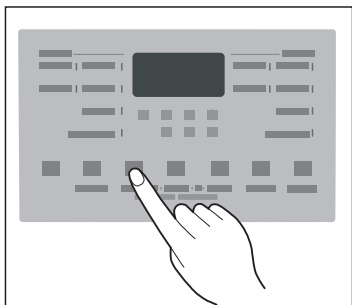
1. Power on



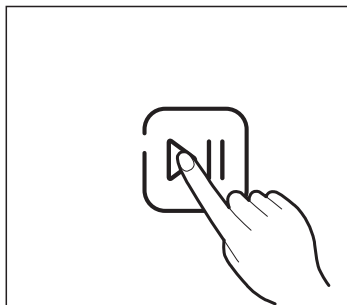
2. Select programme



3. Select function or remain default settings



4. Press Start/Pause to start the program



NOTE

1 : If default is selected, step 3 can be skipped.

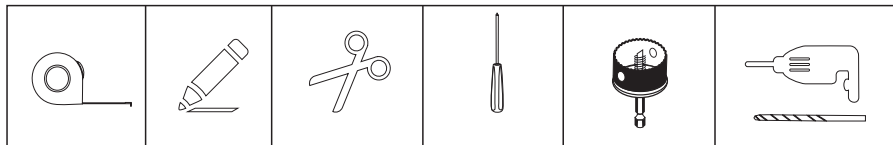
2: The function button line chart is for reference only, please refer to real product as standard.

3. After Washing

Buzzer beep and “End” on display.

PRODUCT INSTALLATION

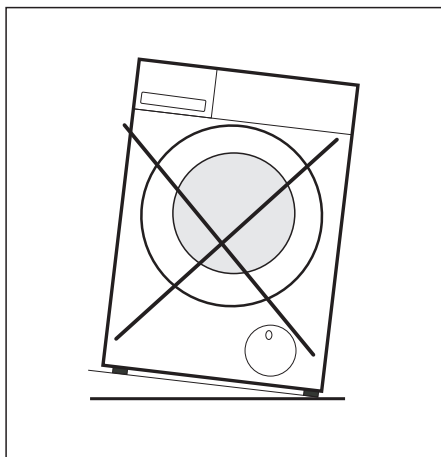
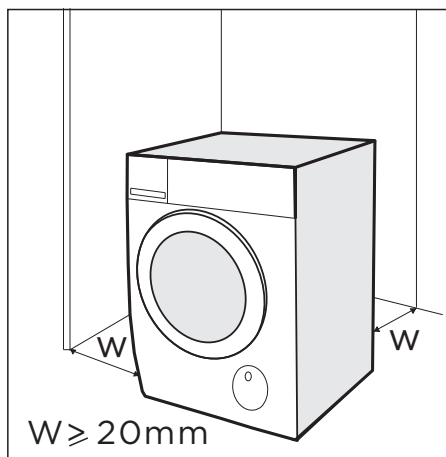
Tools Needed If Installation By Yourself (not include)



Installation Area

WARNING

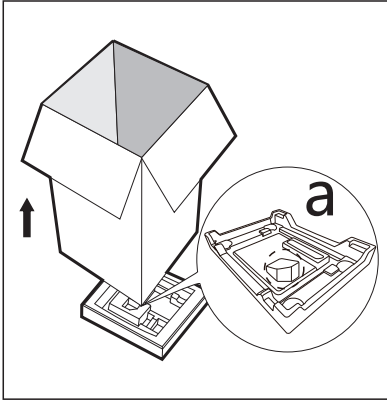
- Stability is important to prevent the product from wandering!
- Make sure the machine is standing leveled and stable.
- Make sure that the product does not stand onto the power cord.
- Make sure to maintain the minimum distances from the walls as shown in the picture.



Before installing the machine, the location characterized as follows shall be selected:

1. Rigid, dry, and level surface.
2. Avoid direct sunlight.
3. Sufficient ventilation.
4. Room temperature is above 5 °C .
5. Keep far away from the heat sources such as coal or gas burning appliances.

Unpacking the Machine



⚠ WARNING

- Packaging material (e.g. Films, Styrofoam) can be dangerous for children.
- There is a risk of suffocation ! Keep all packaging well away from children.

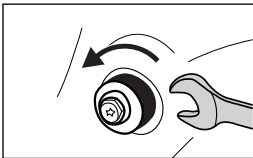
1. Remove the cardboard box and styrofoam packing.
2. Lift the machine and remove the base packaging. Make sure the small triangle foam (a) is removed with the bottom packaging together. If not, lay the unit down on the side surface and remove it manually.
3. Remove the tape securing the power supply cord and drain hose.
4. Remove the inlet hose from the drum.

Remove Transport Bolts

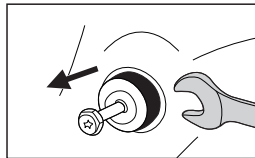
⚠ WARNING

You must remove the transport bolts from the backside before using the product.

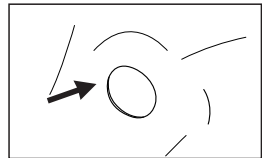
1. Loosen the 4 transport bolts with a spanner.



2. Remove the bolts including the rubber parts and keep them for future use.



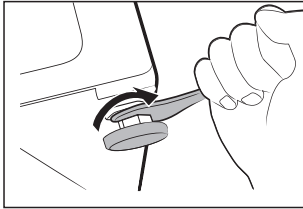
3. Close the holes using the cover caps.



Levelling the Machine

WARNING

The lock nuts on all four feet must be screwed tightly against the housing.



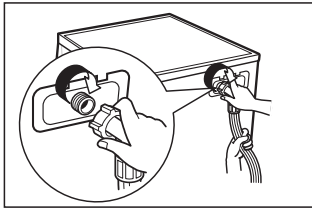
1. Loosen the lock nut.
2. Turn the foot until it reaches the floor.
3. Adjust the legs and lock the nuts with a spanner.
Make sure the machine is level using a spirit level.

Connect the Water Supply Hose

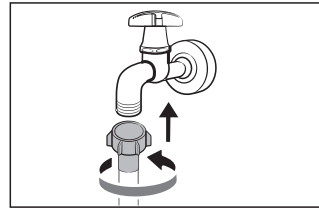
WARNING

To prevent leakage or water damage, follow the instructions in this chapter.

- Do not kink, crush or modify water inlet hose.



Connect the water supply hose to the water inlet valve and a water tap with cold water as indicated.



NOTE

- Connect manually, do not use tools. Check if the connections are tight.

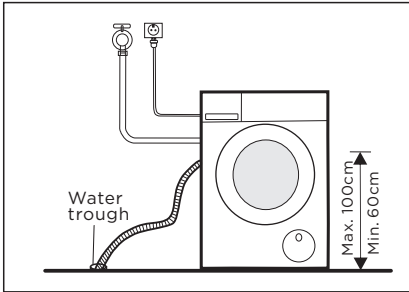
Drain Hose

WARNING

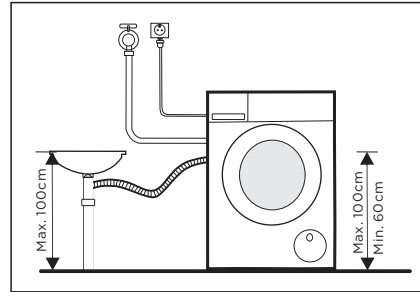
- Do not kink or protract the drain hose.
- Position drain hose properly, otherwise damage might result in water leakage.
- It is not allowed to remove the buckle of drain pipe.

There are two ways to place the end of drain hose:

1. Put it into the water trough.



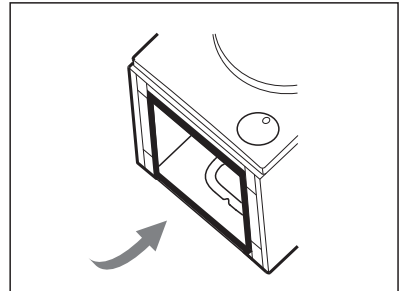
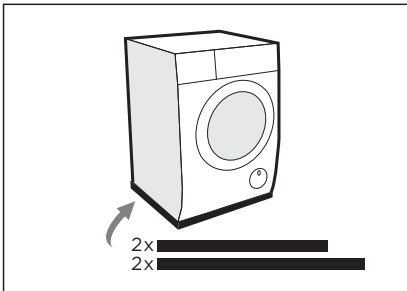
2. Connect it to the branch drain pipe of the trough.



Acoustic Sponge

NOTE

- Please make sure to assemble the acoustic sponges, which can effectively reduce the noise caused by the machine while working, in order to provide you with a more peaceful and quiet living environment.



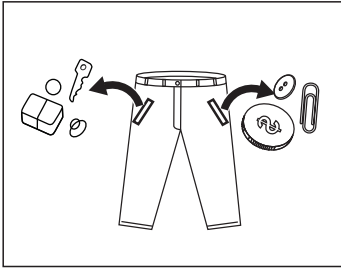
1. Get the machine laid on the floor, using some soft material like foam or clothes between the machine and floor for a protection;
2. Stick the 2x longer sponges to the longer bottom edges of machine, and the 2x shorter sponges to the shorter bottom edges.

OPERATION INSTRUCTIONS

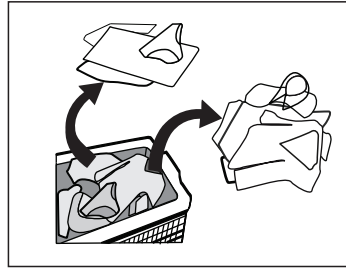
Before Each Washing

- The ambient temperature of the machine should be 5°C-40°C. If used under 0°C, the inlet valve and draining system may be damaged. If the machine is installed under freezing conditions, it should be transferred to normal ambient temperature to ensure the water supply hose and drain hose can unfreeze before use.
- Please check your laundry care labels and the detergent use instructions before wash. Use non-foaming or less-foaming detergent suitable for machine properly.

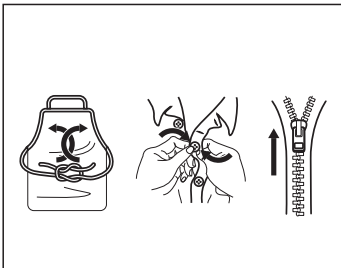
1. Take all items out of the pockets



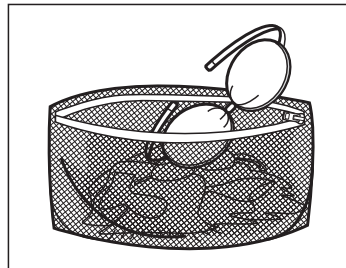
2. Sort laundry according to color and textile type



3. Tie together long textile strips and belts, close zips and button





4. Put small items into a laundry bag

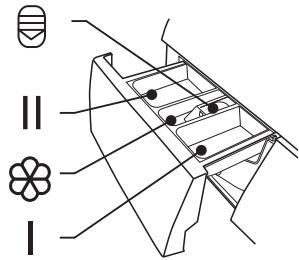


WARNING

- It is prohibited to wash or dry clothes that adhere to any volatile or flammable substance such as cleaning agent, dry cleaning agent, spot remover, acetone, gasoline, kerosene, beauty oil, massage oil, animal oil, machinery oil, dry cleaning oil, volatile agent, alcohol, turpentine, wax, wax remover, banana water, disinfectant tablets, resin, etc.
- Washing single clothes items may easily create big eccentricity. Therefore it is suggested to add one or two more laundry items to the wash so that spin can be done smoothly.
- Do not wash, spin or dry water-proof seats, mats, or clothing.





Detergent Dispenser

- I Pre wash
- II Main wash
-  Softener
-  Release button to pull out the dispenser



CAUTION

- Detergent only need to be added in “compartment I ”after selecting pre-wash function.
- Do not put laundry beads into the detergent dispenser.

Programme	I	II / 		Programme	I	II / 	
Mix		●	○	Steam		●	○
Quick 15'		●	○	Dry Only			
Shirt		●	○	Wool		●	○
Bulky		●	○	Cotton		●	○
Spin only				ECO 40-60		●	○
Wash & Dry		●	○	Drum Clean			

● Means must ○ Means optional

Detergent Recommendation

Recommended washing detergent	Type of laundry and textile	Wash cycles	Washing temp. °C
Heavy-duty detergent with bleaching agents and optical brighteners	White laundry made from boil-proof cotton or linen	Cotton, Mix	40
Colour detergent without bleaching agent and optical brighteners	Coloured laundry made from cotton or linen	Cotton, Mix	40
Color or mild detergent without optical brighteners	Coloured laundry made from easy care fibres or synthetic materials	Steam	40
Mild washing detergent	Delicate textiles, silk, viscose	Qucik 15'	Cold
Special wool detergent	Wool	Wool	40

NOTE

- Agglomerating or ropy detergent or additive can be diluted in some water before pouring it into the detergent dispenser, to avoid its inlet to get blocked and thus cause a water overflow.
- Please choose the suitable type of detergent to get a maximum of washing performance and a minimum of water and energy consumption.
- To achieve the best cleaning result a proper detergent dosing is important.
- Use a reduced detergent amount if the drum is not filled completely.
- Always adjust the amount of detergent to the water hardness, if your tap water is soft, use less detergent.
- Dose according to how dirty your laundry is, less dirty clothes require less detergent.
- Highly concentrated (compact detergent) requires particularly accurate dosing.

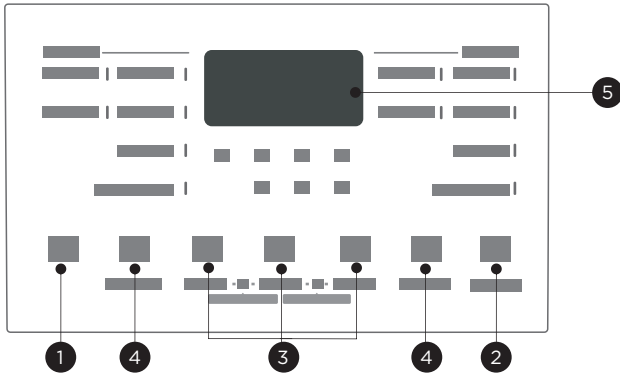
Following symptoms are a sign of detergent overdosing:

- heavy foam formation
- poor washing and rinsing result

Following symptoms are a sign of detergent under dosing:

- laundry turns grey
- built-up of limescale deposits on the drum, the heating element and/or the laundry

Control Panel



1 ON/OFF

Turn the appliance on/off.

2 Start/Pause

Start or pause your programme.

3 Option

This allows you to select additional functions.

4 Programmes

Available according to the laundry type.

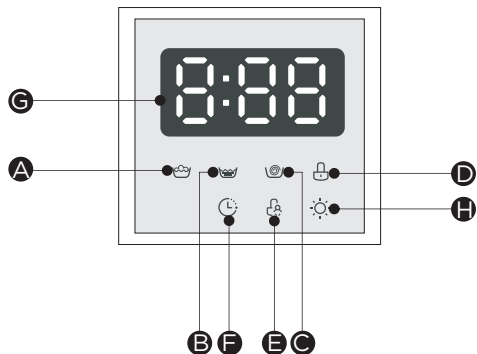
5 Display

The display shows settings, estimated remaining time, options and status messages.

NOTE

- The Chart is reference only, please refer to real product as standard.

Display



A Wash

B Rinse

C Spin

D Door Lock

E Child Lock

F Delay

G Display

Wash Time

i25

Speed

000

End

End

Delay Time

2H

Error

E30

H Dry

Programmes

Programme	Wash/Dry Load (kg)	Temp. (°C)	Default Time (h:min)
	10.0/7.0		
☀ Mix	10.0/7.0	40	1:20
☀ Quick 15'	2.0/2.0	Cold	0:15
☀ Shirt	5.0/3.5	30	1:00
☀ Bulky	10.0/7.0	40	1:48
Spin only	10.0/--	--	0:12
☀ Wash & Dry	7.0/7.0	40	5:35
☀ Steam	7.0/7.0	40	1:48
☀ Dry Only	--/7.0	-	4:28
Wool	2.0/--	Cold	0:59
☀ Cotton	10.0/7.0	40	1:28
ECO 40-60	10.0/--	--	3:59
Drum Clean	--	90	1:18



NOTE

- The parameters in this table are only for user's reference. The actual parameters maybe different with the parameters in above mentioned table.

Programmes

CFPO3ED100W-IT							
Cycle	Nominal capacity in kg	Temperature setting in °C	Cycle duration in hours and minutes	Energy consumption in kWh/operating cycle	Water consumption in liter/operating cycle	Highest temperature in °C ^{b)}	Residual moisture in %/spin speed ^{c)}
Quick 15'	2.0	Cold	0:15	0.030	31	Cold	70%/800
Mix	10.0	40	1:20	0.871	85	40	65%/1000
Shirt	5.0	30	1:00	0.368	51	30	70%/800
Bulky	10.0	40	1:48	0.920	85	40	65%/1000
Cotton	10.0	20	1:27	0.299	85	20	65%/1000
ECO 40-60 ³⁾	10.0	--	3:59	0.800	70.0	34	53.9%/1351
	5.0	--	3:00	0.510	50.0	30	53.9%/1351
	2.5	--	3:00	0.210	41.0	24	53.9%/1351
Wash & Dry ⁴⁾	7.0	--	9:40	4.280	118.0	26	3%/1351
	3.5	--	7:00	2.145	73.0	24	3%/1351

- The above data is for reference only, and the data may change due to different actual use conditions.
- The values given for program other than the ECO 40-60 program and the Wash and Dry cycle are indicative only.
- Cotton 20°C is able to clean lightly soiled cotton laundry, at a nominal temperature of 20°C, which complies with the regulation (EU) 2019/2023.
- Concerning to EN IEC 62512:2020+A11:2020, EN 60456:2016+A11:2020 With (EU) 2019/2014, (EU) 2019/2023, (EU) 2021/340, (EU)2021/341, The EU energy efficiency class is: D
Energy test program: ECO 40-60. Other as the default.
 Half load for 10.0kg machine: 5.0kg.
 Quarter load for 10.0kg machine: 2.5kg.
Energy test program: Wash and Dry; Dry level: d-3, Extra Dry. Other as the default.
 Dry load for 10.0kg machine: 7.0kg, Half dry load machine: 3.5kg.

Programmes

1. The highest temperature reached by the laundry in the wash cycle for at least 5 minutes.
2. Residual moisture after the wash cycle in water content percent and the spin speed at which this was achieved.
3. The ECO 40-60 programme is able to clean normally soiled cotton laundry declared to be washable at 40°C or 60°C, together in the same cycle. This programme is used to assess the compliance with the regulation (EU) 2019/2014, (EU) 2019/2023, (EU) 2021/340, (EU) 2021/341.
4. The Wash and Dry programme, dry level setting “d-3” Extra Dry is able to clean normally soiled cotton laundry declared to be washable at 40°C, together in the same cycle, and to dry it in such a way that it can be immediately stored in a cupboard. This programme is used to assess the compliance with the regulation (EU) 2019/2014, (EU) 2019/2023, (EU) 2021/340, (EU) 2021/341.

The most efficient programmes in terms of energy consumption are generally those that perform at lower temperatures and longer duration.

Loading the household machine up to the capacity indicated for the respective programmes will contribute to energy and water savings.

Noise and remaining moisture content are influenced by the spinning speed: the higher the spinning speed in the spinning phase, the higher the noise and the lower the remaining moisture content.

CAUTION

- If there is any break in the power supply while the machine is operating, a special memory stores the selected programme. The machine will continue the programme when the power supply is re-established.

Programmes are available according to the laundry type.

Programmes	
Cotton	Hard-wearing textiles, heat-resistant textiles made of cotton or linen.
Shirt	Especially for washing the Shirts.
Steam	Steam is applicable for daily laundries. The steam can deeply penetrate the fiber, which effectively eliminate bacterias and germs, preventing odors and protecting your health.
Dry Only	Select it to dry clothes .The drying time according to the load .
Mix	Mixed load consisting of textiles made of cotton and synthetics.
Quick 15'	This procedure is suitable for washing few and not very dirty clothes quickly.
Wash & Dry	The standard energy program for washing and drying.
Wool	Hand or machine-washable wool or richwool textiles.Especially gentle wash programme to prevent shrinkage, longer programme pauses (textiles rest in wash liquor).
Spin Only	Spins and drains the water.
Eco 40-60	Able to clean normally soiled cotton laundry declared to be washable at 40 °C or 60 °C, together in the same cycle.
Drum Clean	Specially set in this machine to clean the drum and tube. It applies 90 °C high temperature sterilization to make the clothes washing more green. When this programme is performed, the clothes or other washing cannot be added. When proper amount of chlorine bleaching agent is put in, the barrel cleaning effect will be better. The customer can use this programme regularly according to the need.
Bulky	This program is specially designed for washing Bulky.

NOTE

- The Chart is reference only, please refer to real product as standard.
- When the programme is finished , “End” will flash on the display ,Please select the knob to the Off position.



WOOLMARK
WOOL CARE

The wool wash cycle of this machine has been tested and approved by The Woolmark Company for the washing of machine washable wool products provided that the products are washed according to the instructions on the garment label and those issued by the manufacturer of this washing machine.
M2203: CFPO3ED100W-IT

Option

Cycle	Default Temp.(°C)	Default spin speed (rpm)	Additional functions
		14-	
Mix	40	10-	☺ ☼
Quick 15'	Cold	800	☺ ☼
Shirt	30	800	☺ ☼
Bulky	40	10-	☺ ☼
Spin only	--	10-	☺
Wash & Dry	40	--	☺ ☼
Steam	40	10-	☺ ☼
Dry Only	-	12-	☺ ☼
Wool	Cold	600	☺
Cotton	40	10-	☺ ☼
ECO 40-60	--	--	☺
Drum Clean	90	--	☺

NOTE

- For the maximum spin speed, program time, and other details of the ECO 40-60 program and Wash and Dry programs, please refer to the content on the Product Fiche page.
- The table shows which cycle offers which options for adjustment.



Spin

When needed, the spinning speed can be adjusted pressing the Speed button in the following steps: 0-400-600-800-1000-1200-1400



Delay

1. Select a programme
2. Press the [Temp.] and [Spin] buttons simultaneously to choose the delaying time 0-24H.
Press the [Temp.] and [Spin] buttons for 3 seconds the delaying time will cycle from 0-24H.
3. Press [Start/Pause] to start the delay operation



Choose programme



Temp. - Spin

Setting time



Start

Cancel the Delay function:

Press the [Temp.] and [Spin] buttons to choose the delaying time to 0H.

If the programme already started, should switch off appliance to reset a new one.



Temp.

When needed, the washing temperature can be adjusted by pressing the temperature button in the following steps:
Cold - 20°C - 30°C - 40°C - 60°C - 90°C.



Reload

This operation can be executed during the washing progress. When the drum is still rolling and there is large amount of water with high temperature in the drum. The state is unsafe and the door cannot be opened forcefully. Press [Reload] 3 seconds for reload, and start the clothes adding in the midway function. Please follow the steps as below:

1. Wait until the drum stops rotation.
2. The door lock is unlocked.
3. Close the door when the clothes are reloaded and press the [Start/Pause] button.



Press 3 seconds for reload



Reload the clothes



Start



CAUTION

- Don't use the Reload function when the water level over the edge of the inner tub or the temperature is higher.



Care Wash

Press [Care Wash] to select "Steam", "Dry Only", "Wool", "Cotton", "ECO40-60" and "Drum Clean" programmes.



Daily Wash

Press [Daily Wash] to select "Mix", "Quick 15", "Shirt", "Bulky", "Spin only" and "Wash & Dry" programmes.

NOTE

Usage counter

1. Please press "Daily Wash" and "Care Wash" on control panel simultaneously and hold for around 5 seconds until the device display shows digits. The value indicates the number of times the equipment has been used.
2. Press "Daily Wash" and "Care Wash" on the control panel simultaneously and hold for around 5 seconds to resume normal operation.



Child Lock

To avoid mis operation by children.



Spin



Dry

Child lock hold 3 sec.

Press [Spin] and [Dry] simultaneously for 3 seconds until the buzzer beep.



CAUTION

When the Child Lock is activated, the display will alternately show “CL” and the remaining time.

When the program ends, “CL” and “End” will alternate on the display.

The Child Lock deactivates the function of all buttons except the Child lock button and ON/OFF function!

After turning off the appliance, the child lock will not be automatically released.

Only the simultaneous pressing of the two buttons can deactivate the Child Lock!

Please deactivate the Child Lock before selecting a new program!



Dry

Press the Dry button to choose the dry level: Gentle Dry/ Normal Dry/ Extra Dry / Timed Dry.

Gentle Dry(d-1): Clothes are dried to damp state for ironing.

Normal Dry(d-2): Clothes are ready for storing in the cupboard.

Extra Dry(d-3): Clothes are dried complete to be worn directly.

Timed Dry: Drying your laundry and finish within given time.

(30/60/90/120/180 minutes)



NOTE

- In the program “ DRY ONLY”, you can touch Dry button to change drying duration (30min, 60min, 90min, 120min, 180min), suitable for different loading (0.5kg, 1kg, 1.5kg, 2kg, 3kg). This program contains 10 minutes of default dehydration time, so the actual display time is 40min, 70min, 100min, 130min, 190min.
- Drying hints
 - Clothes could be dried after spinning
 - To ensure quality dry the textiles, please classify them according to their kinds and the drying temperature.
 - Synthetic should be set the proper drying time .
 - If you want to iron the clothes after drying, please put them for a while.
- Clothes not suitable for drying
 - Particularly delicate items such as synthetic curtains, woolen and silk, clothes with metal inserts, nylon stockings, bulky clothes, such as anoraks, bedcovers, quilts, sleeping bags and duvets must not be dried.
 - Clothes padded with foam-rubber or materials similar to foam-rubber must not be machine dried.
 - Fabrics containing residues of setting lotions or hair sprays, nail solvents or similar solutions must not be machine dried in order to avoid the formation of harmful vapours.

Product Fiche

Supplier's name or trade mark^(*),^(†):

Supplier's address^(*),^(†):

Model identifier^(*):CFP03ED100W-IT

General product parameters:

Parameter	Value		Parameter	Value	
Rated capacity(kg)	Rated capacity ^(*)	7.0	Dimensions in cm ^(*) , ^(†)	Height	85
	Rated washing capacity ^(†)	10.0		Width	60
				Depth	54
Energy efficiency index	EEL _w ^(*)	46.8	Energy efficiency class	EEL _w ^(†)	A
	EEL _{wd} ^(*)	67.0		EEL _{wd} ^(†)	D
Washing efficiency index	I _w ^(*)	1.031	Rinsing effectiveness (g/kg dry textile)	I _r ^(*)	5.0
	J _w ^(*)	1.031		J _r ^(*)	5.0
Energy consumption in kWh per kg per cycle, for the washing cycle of the household washer-dryer, using the eco 40-60 programme at a combination of full and partial loads. Actual energy consumption will depend on how the appliance is used	0.462		Energy consumption in kWh per kg per cycle, for the wash and dry cycle of the household washer-dryer at a combination of full and half loads. Actual energy consumption will depend on how the appliance is used	3.426	
Water consumption in litre per cycle, for the eco 40-60 programme at a combination of full and partial loads. Actual water consumption will depend on how the appliance is used and on the hardness of the water	52		Water consumption in litre per cycle, for the wash and dry cycle of the household washer-dryer at a combination of full and half loads. Actual water consumption will depend on how the appliance is used and on the hardness of the water	100	
Maximum temperature inside the treated textile ^(*) (°C)	Rated washing capacity	34	Maximum temperature inside the treated textile (°C) for the washing cycle of the household washer-dryer, using the wash and dry cycle	Rated capacity	26
	Half	30		Half	24
	Quarter	24			
Spin speed(rpm) ^(†)	Rated washing capacity	1351	Weighted remaining moisture content (%) ^(†)	53.9	
	Half	1351			
	Quarter	1351			
Eco 40-60 programme duration (h:min)	Rated washing capacity	3:59	Spin-drying efficiency class ^(†)	B ^(†)	
	Half	3:00			
	Quarter	3:00			
Airborne acoustical noise emissions during the spinning phase for the eco 40-60 washing cycle at rated washing capacity (dB(A) re 1 pW)	72		wash and dry cycle duration (h:min)	Rated capacity	9:40
				Half	7:00
Type	free-standing		Airborne acoustical noise emission class for the spinning phase for the eco 40-60 programme at rated washing capacity	A ^(†)	
Off-mode (W) (if applicable)	0.50		Standby mode (W)(if applicable)	N/A	
Delay start (W) (if applicable)	4.00		Networked standby (W)(if applicable)	N/A	

Minimum duration of the guarantee offered by the supplier ^(*),^(†):

This product has been designed to release silver ions during the washing cycle

NO

Additional information:

Weblink to the supplier's website, where the information in point 9 of Annex II to Commission Regulation (EU)2019/2023 is found:

- ☐ this item shall not be considered relevant for the purposes of Article 2(6) of Regulation (EU) 2017/1369.
- ☐ for the eco 40-60 programme.
- ☐ for the wash and dry cycle.Dry level: d-3, Extra Dry.
- ☐ changes to this item shall not be considered relevant for the purposes of paragraph 4 of Article 4 of Regulation (EU) 2017/1369.
- ☐ if the product database automatically generates the definitive content of this cell the supplier shall not enter these data.

- 1) The actual energy consumption will depend on how the appliance is used.
- 2) The actual water consumption will depend on how the appliance is used and on the hardness of the water.
- 3) Delivery of the spare parts within 15 working days after having received the order.

Product Data Sheet concerning (EU) 2019/2014, (EU) 2019/2023, (EU) 2021/340, (EU) 2021/341.

The product data sheet for your appliance can be found online.

Go to <https://eprel.ec.europa.eu> and enter the model identifier for your appliance to download the data sheet.

The model identifier for your appliance can be found in the technical specifications section.

CLEANING AND MAINTENANCE

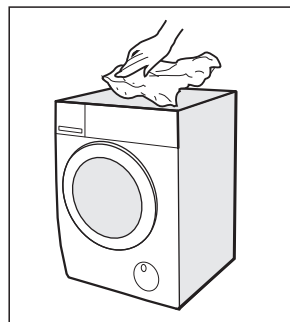
Cleaning and Care

WARNING

- Always unplug the appliance and close the water tap before cleaning and maintenance.
- When cleaning the product, do not stretch your hands, feet or arms into the bottom of the machine case to prevent scratches.

Cleaning the Cabinet

Proper maintenance on the machine can extend its working life. The surface can be cleaned with diluted non-abrasive neutral detergents when necessary. If there is any water overflow, use a towel to wipe it off immediately. Never use sharp items to clean the appliance.



CAUTION

- Never use abrasive or caustic agents. Such as formic acids or its diluted solvents or similar substances, like alcohol or chemical products.

Cleaning the Drum

Any rust stains left inside the drum by metal articles must be removed immediately using chlorine-free detergents. Never use steel wool for cleaning the drum! Running the “DRUM CLEAN” program to clean the drum every the machine runs 60 times (appear U01 on control panel to ensure the normal operation of the appliance).

NOTE

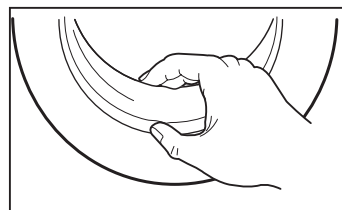
- Keep any laundry away from the machine while cleaning the drum.

Cleaning the Door Seal and Glass

Wipe the glass and seal after each wash to remove lint and stains. If lint builds up it can cause leakages.

Remove any coins, buttons and other objects from the seal after each wash.

Clean the door seal every the machine runs 60 times (appear U01 on control panel to ensure the normal operation of the appliance).

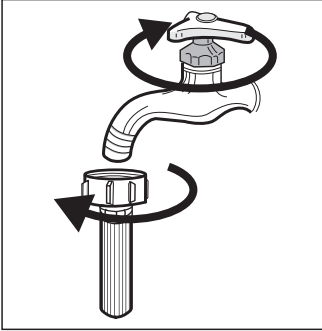


Cleaning the Inlet Filter

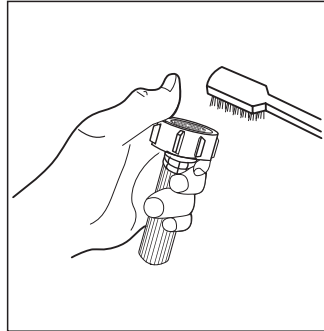
NOTE

- Diminishing water flow is a sign that the filter needs to be cleaned.

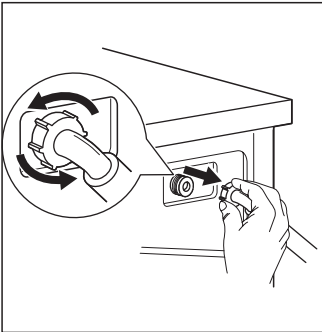
1. Close the tap and remove the water supply hose from it.



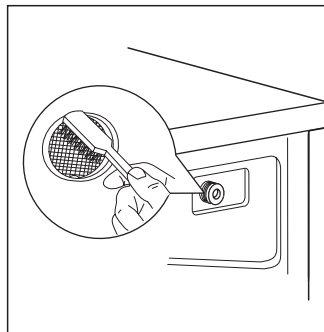
2. Clean the filter with a brush.



3. Unscrew the water supply hose from the backside of the machine. Pull out the filter with long nose pliers.




4. Use a brush to clean the filter.



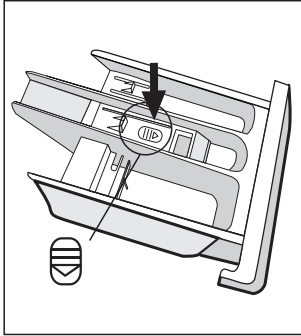
5. Reinstall the filter to the water inlet and reconnect the water supply hose.

6. Clean the inlet filter with a brush every the machine runs 60 times (appear U01 on control panel to ensure the normal operation of the appliance).

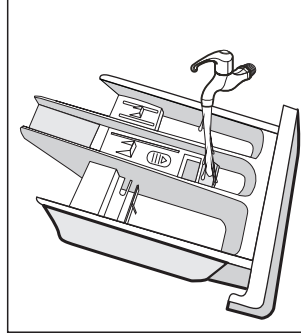
Cleaning the Detergent Dispenser

- Press down the release [] on the softener cover and pull the dispenser drawer out of the recess.
- Lift the softener cover off the dispenser drawer and wash both items with water.
- Clean the inside of the recess with a brush.
- Restore the softener cover and push the drawer back into the recess.

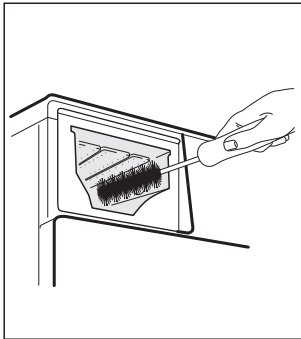
1. Press the release and remove the dispenser drawer



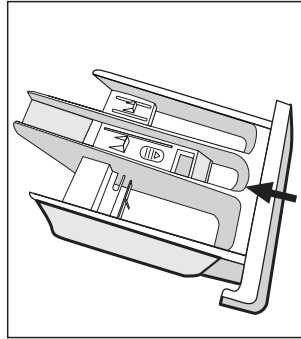
2. Clean the dispenser drawer and the softener cover under water



3. Clean the recess with a soft brush



4. Insert the dispenser drawer



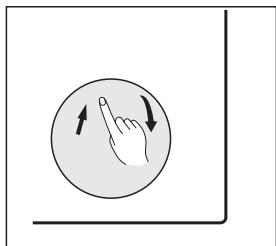
NOTE

- Do not use abrasive or caustic agents to clean plastic parts.
- Clean the detergent dispenser with a brush every the machine runs 60 times (appear U01 on control panel to ensure the normal operation of the appliance).

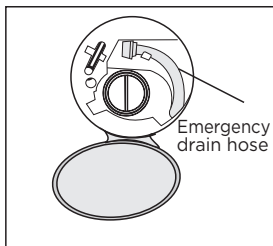
Cleaning the Drain Pump Filter

WARNING

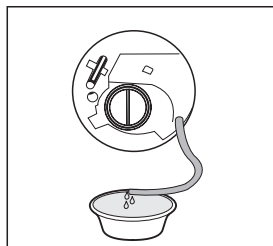
- Make sure that the machine has finished the washing cycle and is empty. Switch it off and unplug it before cleaning the drain pump filter.
- Be careful of hot water. Wait for water cooling down. Risk of scalding!
- Clean the filter periodically every 3 months to ensure the normal operation of the appliance.



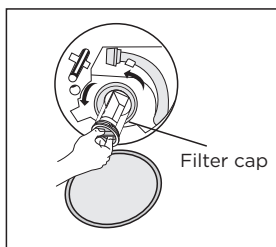
1. Open the lower cover cap



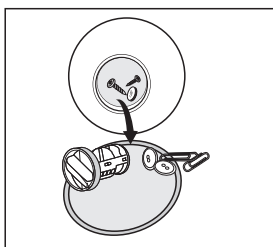
2. Pull out the emergency drain hose, and take off the hose cap



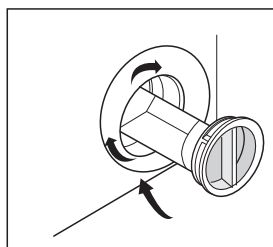
3. After water runs out, reset the drain hose



4. Open the filter by turning to the counter clockwise



5. Remove extraneous matter



6. Carefully reinsert the filter and screw the lower cover cap in clockwise

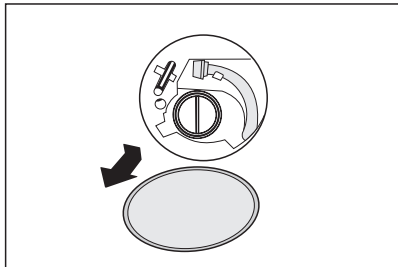
CAUTION

- Make sure that valve cap and emergency drain hose are reinstalled properly, cap plates should be inserted aligning to hole plates otherwise water may leak.
- Some machines don't have emergency drain hose, so step 2 and step 3 can be skipped. Rotate lower cover cap directly to make water run into basin.
- When the appliance is in use and depending on the programme selected there can be hot water in the pump. Never remove the pump cover during a wash cycle, always wait until the appliance has finished the cycle, and is empty. When replacing the cover, ensure it is securely re-tightened.

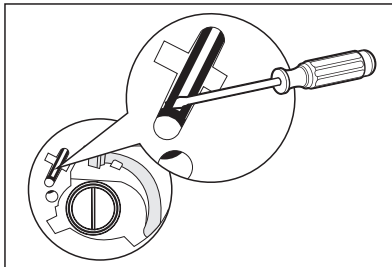
Emergency Door Release

In case of power failure or other circumstances and door cannot be opened. If it is necessary to open the door under this circumstances, please pull down the pull cord inside emergency door and restore the pull cord after opening the door.

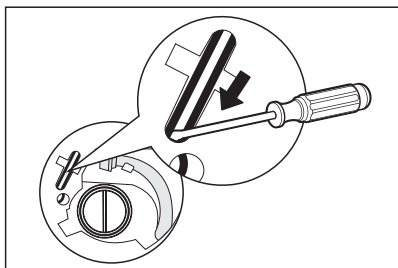
Emergency door pull cord



1. Open filter door.



2. Using a straight screwdriver (or other non-sharp tool), insert into the emergency door pull cord.



3. Pull down the emergency door pull cord (refer to direction of the arrow in the picture). If unlocked successfully, you will find the door lock icon will go out.

CAUTION

The machine is not allowed to use the emergency switch pull cord during washing. If need to run machine urgently, it is recommended to open door after water is cooled, to avoid getting burn caused by high temperature residual water outflow from the machine tub.

TROUBLE SHOOTING

Whenever there is a problem with the appliance, check if you can solve it following the tables below. If the problem persists, please contact the customer service.

Description	Possible Cause	Solution
Appliance does not start	Door is not closed properly. Clothes are stuck.	Close the door properly and restart. Check the laundry.
Door can't be opened	Safety protection is activated.	Disconnect the power and restart.
Water leakage	Connections are not tight enough.	Check and fasten the water inlet pipe. Check and clean the outlet hose.
Detergent residues in the detergent dispenser	Detergent is damp and/or clotted.	Clean and wipe the detergent dispenser dry.
Indicator or display does not work	PC board or harness have connection problems.	Switch off the power and check if the mains plug is connected properly.
Abnormal noise	Fixing bolts are still in place. Floor is not solid or level.	Check if the fixing bolts have been removed. Make sure the appliance is installed on a solid and level floor.

Error Codes

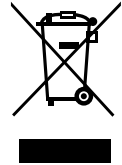
Description	Possible Cause	Solution
E30	Door is not closed properly.	Close the door properly and restart.
E10	Water injecting problem during wash cycle.	Check if the water pressure is high enough. Straighten the water pipe. Clean the inlet valve filter.
E21	Overtime water draining	Check the drain hose for blockage.
E12	Water overflow	Restart the appliance.
EXX	Others	Restart the appliance. If problem persists, please contact the customer service.

DISPOSAL AND RECYCLING

Important Instructions for Environment

Compliance with the WEEE Directive and Disposing of the Waster Product:
This product complies with EU WEEE Directive (2012/19/EU). This product bears a classification symbol for waster electrical and electronic equipment (WEEE).

This symbol indicates that this product shall not be disposed with other household wastes at the end of its service life. Used device must be returned to official collection point for recycling of electrical electronic devices. To find these collection systems please contact to your local authorities or retailer where the product was purchased. Each household performs important role in recovering and recycling of old appliance. Appropriate disposal of used appliance helps prevent potential negative consequences for the environment and human health.



Compliance with RoHS Directive

The product you have purchased complies with EU RoHS Directive (2011/65/EU). It does not contain harmful and prohibited materials specified in the Directive.

Package Information

Packaging materials of the product are manufactured from recyclable materials in accordance with our National Environment Regulations. Do not dispose of the packaging materials together with the domestic or other wastes. Take them to the packaging material collection points designated by the local authorities.



WARRANTY CARD

NOTES

We provide a guarantee for this machine in accordance with the following conditions: You have a manufacturer's warranty of _____ years from the date of purchase (proof of purchase must be provided). Our General Terms and Conditions apply.

Your device / serial number

Purchase date:

Place of purchase:

Do you have any questions ?

We are happy to support you !

Customer Service

Spare parts for your appliance are available for a minimum of 10 years following EU COMMISSION REGULATION 2019/2023 ANNEX II Ecodesign requirements.

In case of questions, please contact our local customer service center.

WARNING

Risk of electric shock

- Never try to repair an appliance which is defective or presumed to defective. You may put your own and future users' lives in danger. Only authorised specialists are allowed to carry out this repair work.
- Improper repair will void the warranty and subsequent damages can't be recognized!

Transport

IMPORTANT STEPS WHEN MOVING THE APPLIANCE

- Unplug the appliance and close the water inlet tap.
- Check if the door and the detergent dispenser are closed properly.
- Remove the water inlet pipe and the outlet hose from the house installations.
- Let the water drain completely from the appliance (see "Cleaning the Drain Pump Filter")
- Important: Re-install the 4 transport bolts in the back of the appliance.
- This appliance is heavy. Transport with care. Never hold any protruding part of the machine when lifting. The machine door can not be used as a handle.

comfee'
...is how I feel!