

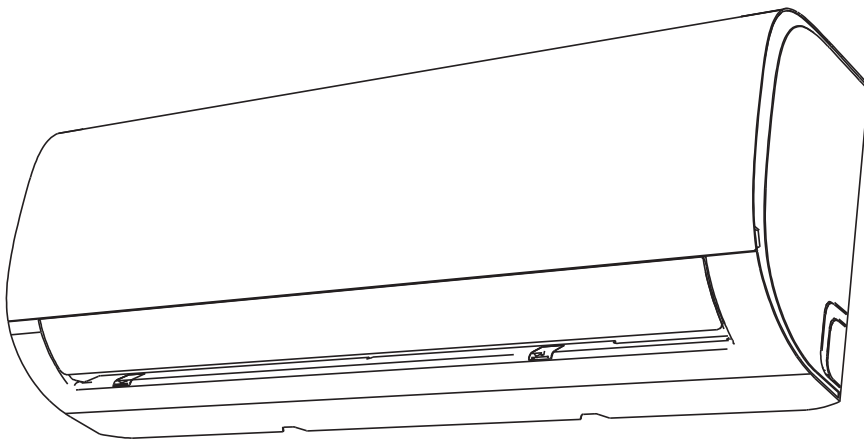
SPLIT-TYPE ROOM AIR CONDITIONER

Comfee

Installation Manual

Forest Series

All Model Numbers



MSAF5-09HRDN1-QE-IU

MSAF5-12HRDN1-QE-IU

MSAF5-18HRDN1-QE-IU

IMPORTANT NOTE:

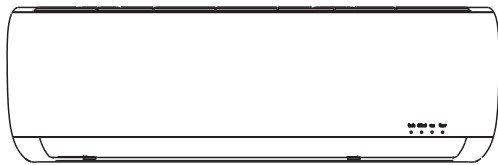
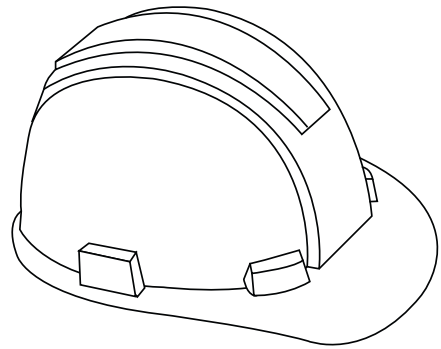
Read this manual carefully before installing or operating your new air conditioning unit. Make sure to save this manual for future reference.



Table of Contents

Installation Manual

0	Safety Precautions	4
1	Accessories	6
2	Installations Summary- Indoor Unit	8
3	Unit Parts	10

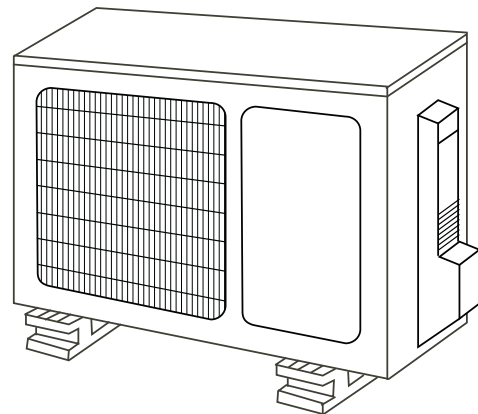


4 Indoor Unit Installation11

1. Select installation location.....11
2. Attach mounting plate to wall 12
3. Drill wall hole for connective piping12
4. Prepare refrigerant piping14
5. Connect drain hose.....17
6. Connect signal and power cables..... 19
7. Wrap piping and cables20
8. Mount indoor unit20

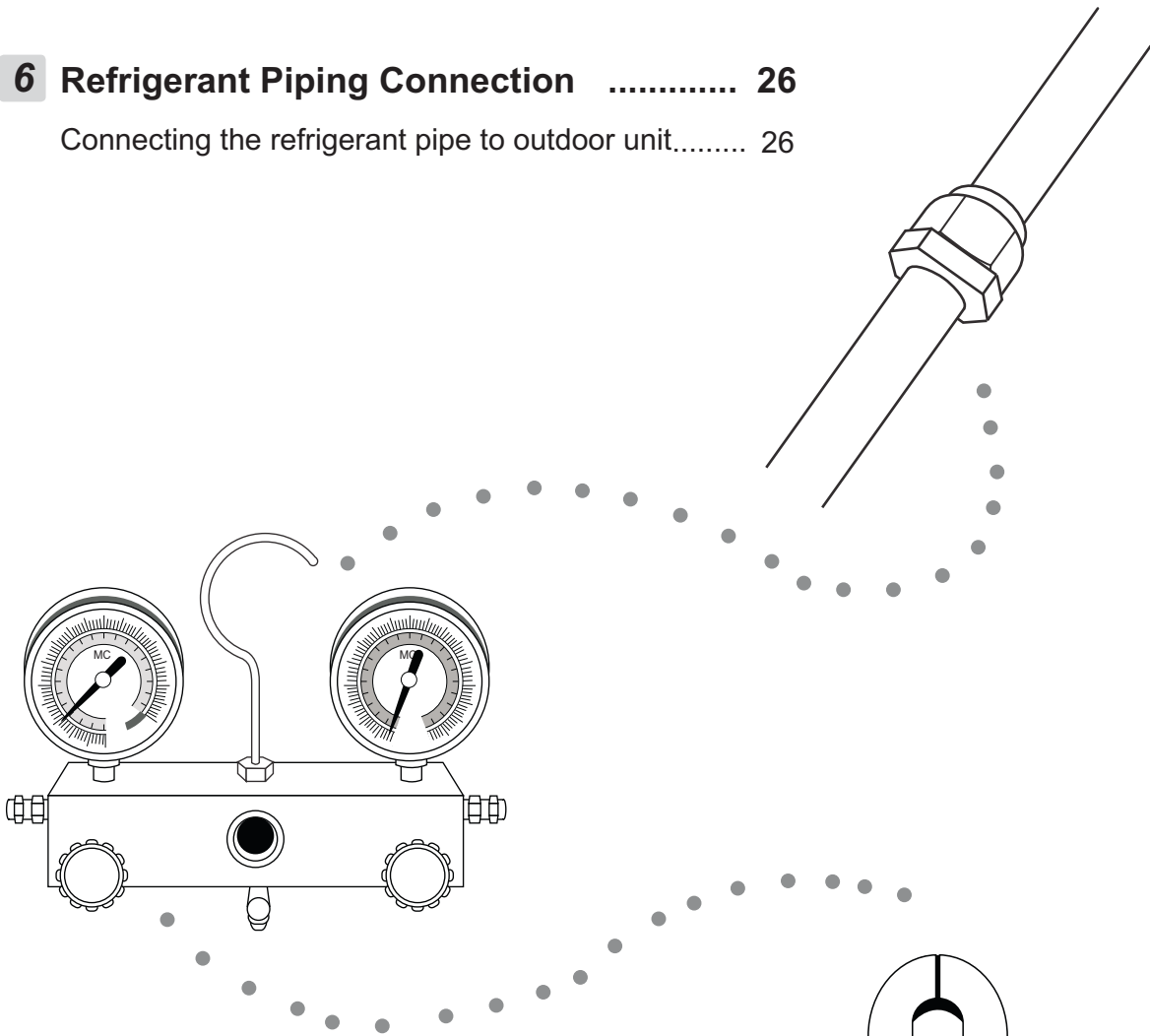
5 Outdoor Unit Installation19

1. Select installation location.....21
2. Install drain joint22
3. Anchor outdoor unit23
4. Connect signal and power cables .. 24



6 Refrigerant Piping Connection 26

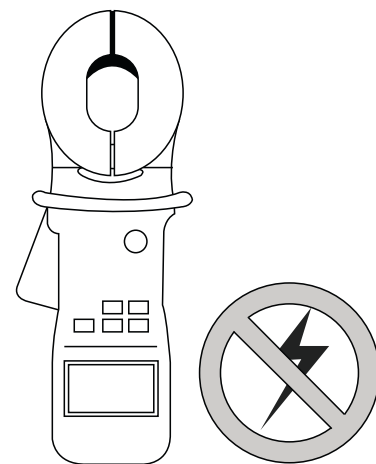
Connecting the refrigerant pipe to outdoor unit..... 26



7 Electrical and Gas Leak Checks..... 28

8 Test Run 29

9 European Disposal Guidelines 31



Safety Precautions

Read Safety Precautions Before Installation

Incorrect installation due to ignoring instructions can cause serious damage or injury.

The seriousness of potential damage or injuries is classified as either a **WARNING** or **CAUTION**.



WARNING

This symbol indicates that ignoring instructions may cause death or serious injury.



CAUTION

This symbol indicates that ignoring instructions may cause moderate injury to your person, or damage to your unit or other property.



This symbol indicates that you must never perform the action indicated.



WARNING

- ⊘ **Do not** modify the length of the power supply cord or use an extension cord to power the unit. **Do not** share the electrical outlet with other appliances. Improper or insufficient power supply can cause fire or electrical shock.
- ⊘ When connecting refrigerant piping, **do not** let substances or gases other than the specified refrigerant enter the unit. The presence of other gases or substances will lower the unit's capacity, and can cause abnormally high pressure in the refrigeration cycle. This can cause explosion and injury.
- ⊘ **Do not** allow children to play with the air conditioner. Children must be supervised around the unit at all times.
 1. Installation must be performed by an authorized dealer or specialist. Defective installation can cause water leakage, electrical shock, or fire.
 2. Installation must be performed according to the installation instructions. Improper installation can cause water leakage, electrical shock, or fire.
 3. Contact an authorized service technician for repair or maintenance of this unit.
 4. Only use the included accessories, parts, and specified parts for installation. Using non-standard parts can cause water leakage, electrical shock, fire, and can cause the unit to fail.
 5. Install the unit in a firm location that can support the unit's weight. If the chosen location cannot support the unit's weight, or the installation is not done properly, the unit may drop and cause serious injury and damage.



WARNING

6. For all electrical work, follow all local and national wiring standards, regulations, and the Installation Manual. You must use an independent circuit and single outlet to supply power. Do not connect other appliances to the same outlet. Insufficient electrical capacity or defects in electrical work can cause electrical shock or fire.
7. For all electrical work, use the specified cables. Connect cables tightly, and clamp them securely to prevent external forces from damaging the terminal. Improper electrical connections can overheat and cause fire, and may also cause shock.
8. All wiring must be properly arranged to ensure that the control board cover can close properly. If the control board cover is not closed properly, it can lead to corrosion and cause the connection points on the terminal to heat up, catch fire, or cause electrical shock.
9. In certain functional environments, such as kitchens, server rooms, etc., the use of specially designed air-conditioning units is highly recommended.
10. If the supply cord is damaged, it must be replaced by the manufacturer, its service agent or similarly qualified persons in order to avoid a hazard.
11. This appliance can be used by children aged from 8 years and above and persons with reduced physical, sensory or mental capabilities or lack of experience and knowledge if they have been given supervision or instruction concerning use of the appliance in a safe way and understand the hazards involved. Children shall not play with the appliance. Cleaning and user maintenance shall not be made by children without supervision.



CAUTION

- ⊗ For units that have an auxiliary electric heater, **do not** install the unit within 1 meter (3 feet) of any combustible materials.
 - ⊗ **Do not** install the unit in a location that may be exposed to combustible gas leaks. If combustible gas accumulates around the unit, it may cause fire.
 - ⊗ **Do not** operate your air conditioner in a wet room such as a bathroom or laundry room. Too much exposure to water can cause electrical components to short circuit.
1. The product must be properly grounded at the time of installation, or electrical shock may occur.
 2. Install drainage piping according to the instructions in this manual. Improper drainage may cause water damage to your home and property.

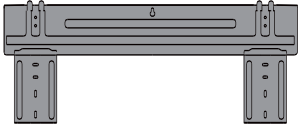





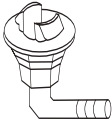

Note about Fluorinated Gasses

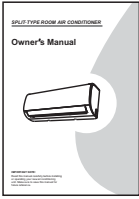
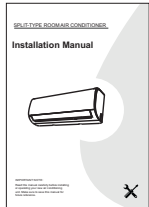
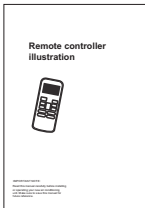
1. This air-conditioning unit contains fluorinated gasses. For specific information on the type of gas and the amount, please refer to the relevant label on the unit itself.
2. Installation, service, maintenance and repair of this unit must be performed by a certified technician.
3. Product uninstallation and recycling must be performed by a certified technician.
4. If the system has a leak-detection system installed, it must be checked for leaks at least every 12 months.
5. When the unit is checked for leaks, proper record-keeping of all checks is strongly recommended.

Accessories

1

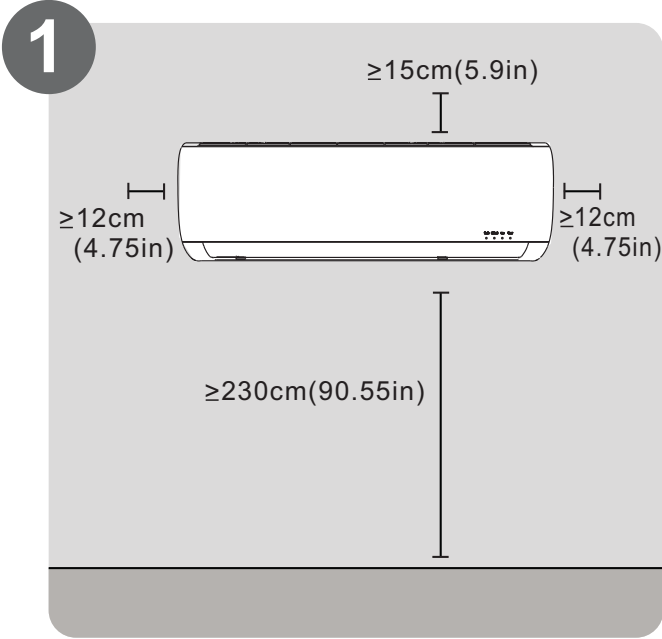
The air conditioning system comes with the following accessories. Use all of the installation parts and accessories to install the air conditioner. Improper installation may result in water leakage, electrical shock and fire, or cause the equipment to fail.

Name	Shape	Quantity
Mounting plate		1
Clip anchor		5
Mounting plate fixing screw ST3.9 X 25		5
Remote controller		1
Air freshening filter		1 (used to install on the back of air filter)
Seal		1 (for cooling & heating models only)
Drain joint		
Quick connecting refrigerant pipe		1

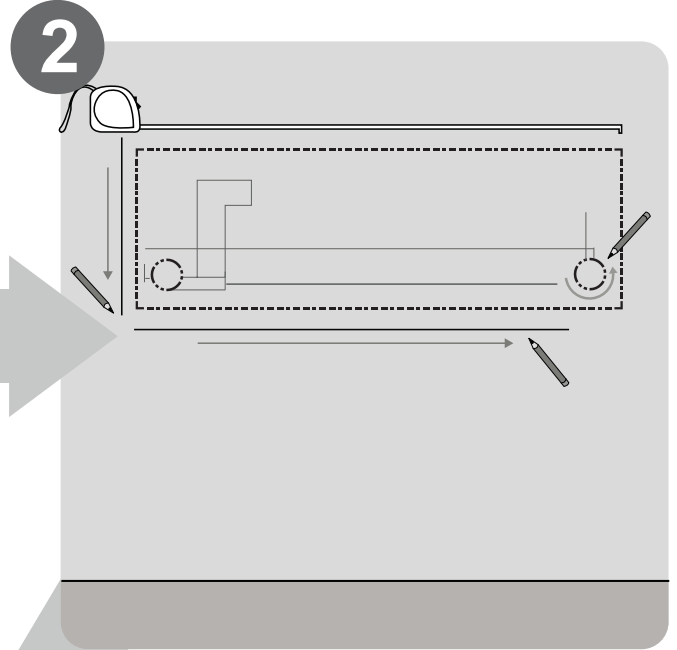
Owner's manual		1
Installation manual		1
Remote controller illustration		1

Installation Summary - Indoor Unit

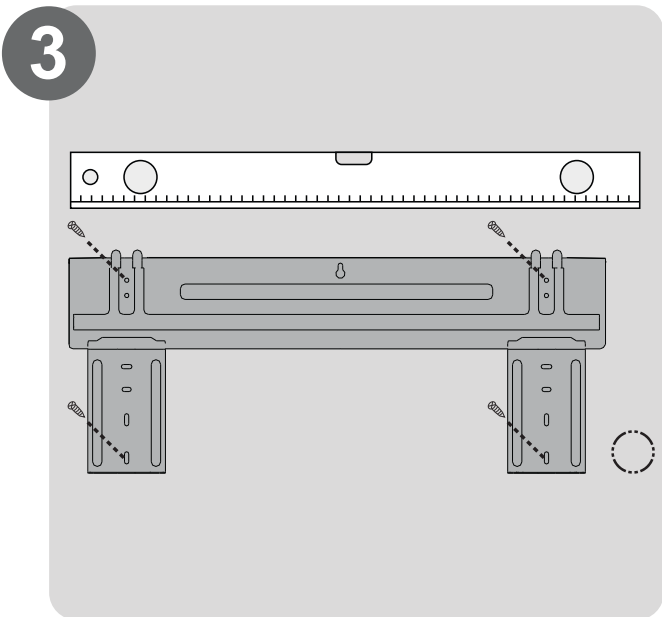
2



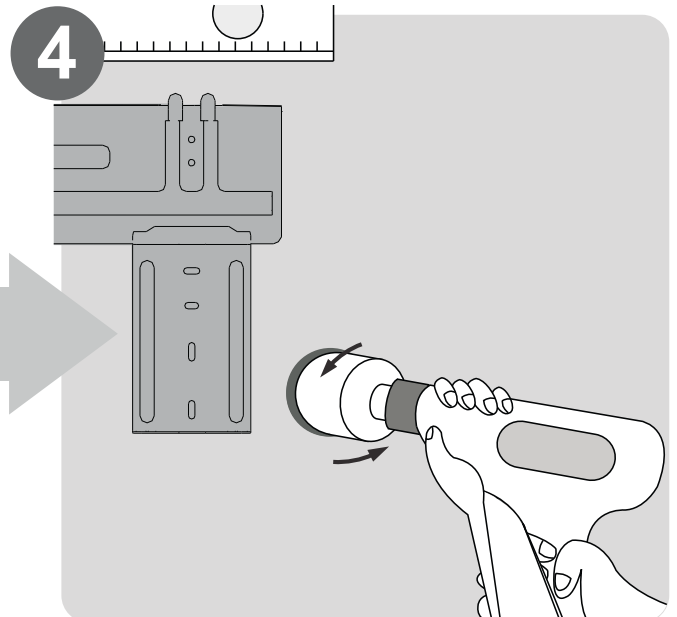
Select Installation Location
(Page 11)



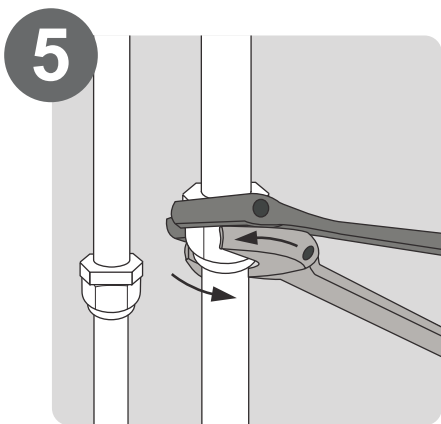
Determine Wall Hole Position
(Page 12)



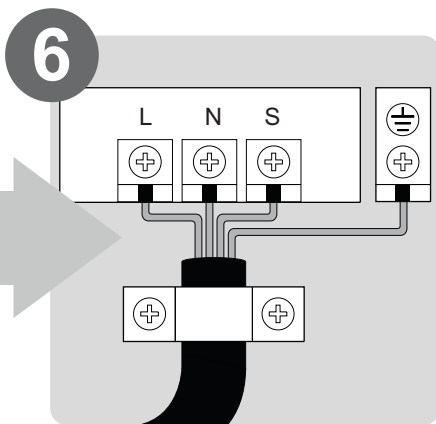
Attach Mounting Plate
(Page 12)



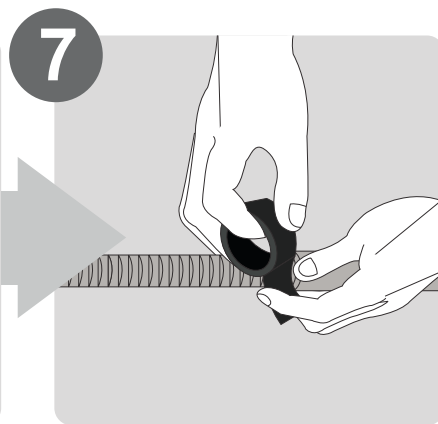
Drill Wall Hole
(Page 12)



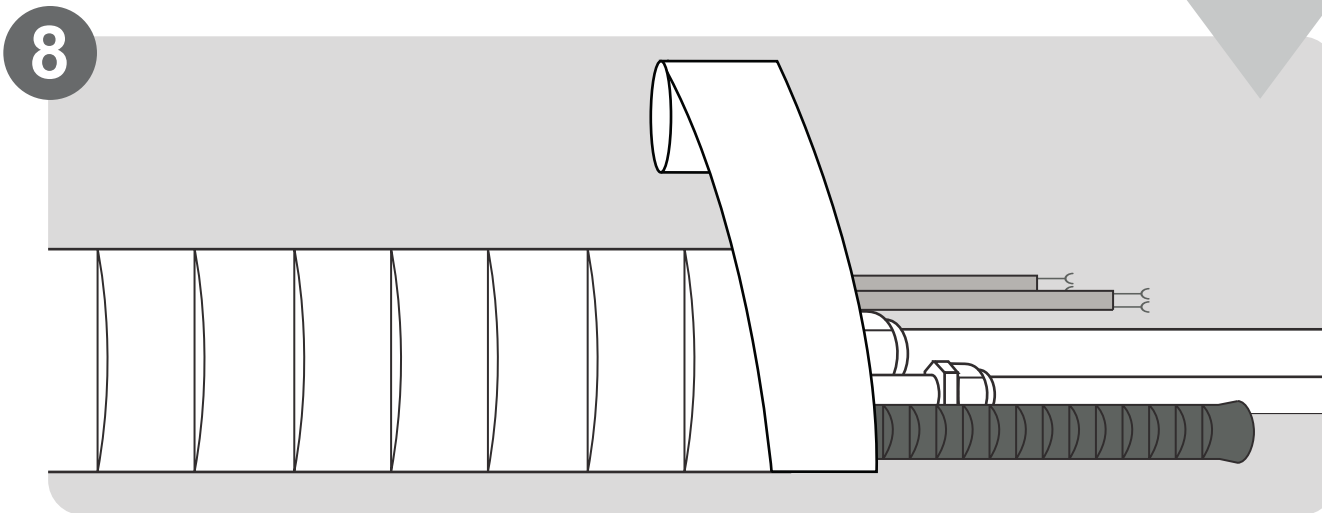
5
Connect Piping
(Page 15)



6
Connect Wiring
(Page 19)



7
Prepare Drain Hose
(Page 17)



8
Wrap Piping and Cable
(Page 20)



9
Mount Indoor Unit
(Page 20)

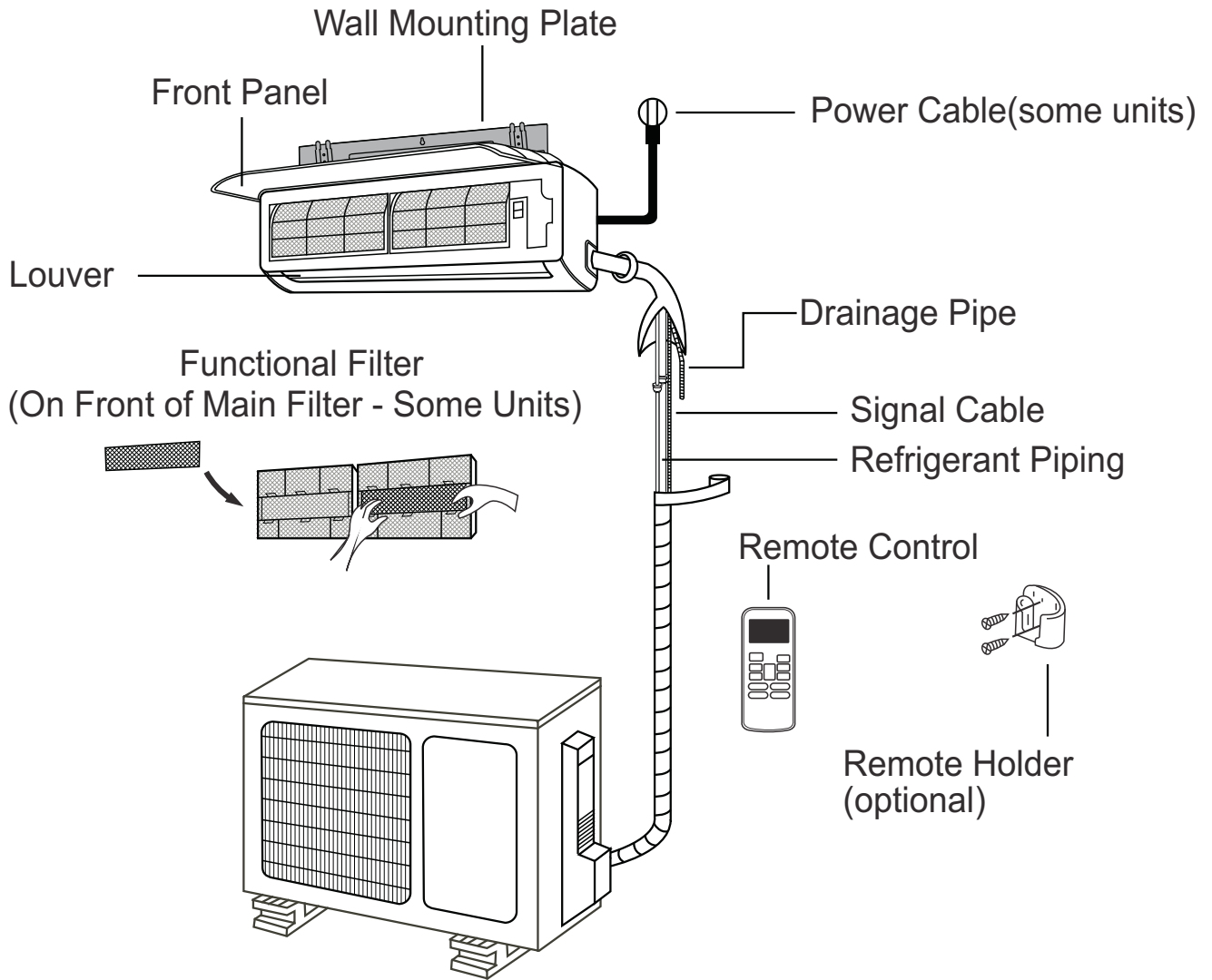


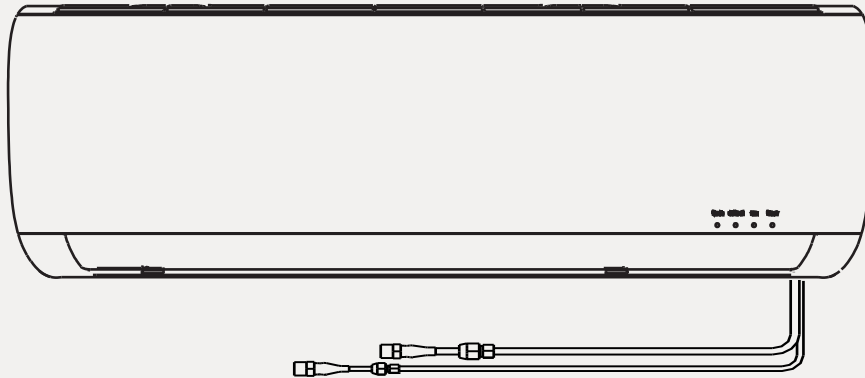
Fig. 3.1

NOTE ON ILLUSTRATIONS

Illustrations in this manual are for explanatory purposes. The actual shape of your indoor unit may be slightly different. The actual shape shall prevail.

Indoor Unit Installation

4



Installation Instructions - Indoor Unit

PRIOR TO INSTALLATION

Before installing the indoor unit, refer to the label on the product box to make sure that the model number of the indoor unit matches the model number of the outdoor unit.

Step 1: Select installation location

Before installing the indoor unit, you must choose an appropriate location. The following are standards that will help you choose an appropriate location for the unit.

Proper installation locations meet the following standards:

- Good air circulation
- Convenient drainage
- Noise from the unit will not disturb other people
- Firm and solid-the location will not vibrate
- Strong enough to support the weight of the unit
- A location at least one meter from all other electrical devices (e.g., TV, radio, computer)

DO NOT install unit in the following locations:

- ⊘ Near any source of heat, steam, or combustible gas
- ⊘ Near flammable items such as curtains or clothing
- ⊘ Near any obstacle that might block air circulation
- ⊘ Near the doorway
- ⊘ In a location subject to direct sunlight

NOTE ABOUT WALL HOLE:

If there is no fixed refrigerant piping:

While choosing a location, be aware that you should leave ample room for a wall hole (see **Drill wall hole for connective piping step**) for the signal cable and refrigerant piping that connect the indoor and outdoor units. The default position for all piping is the right side of the indoor unit (while facing the unit). However, the unit can accommodate piping to both the left and right.

Refer to the following diagram to ensure proper distance from walls and ceiling:

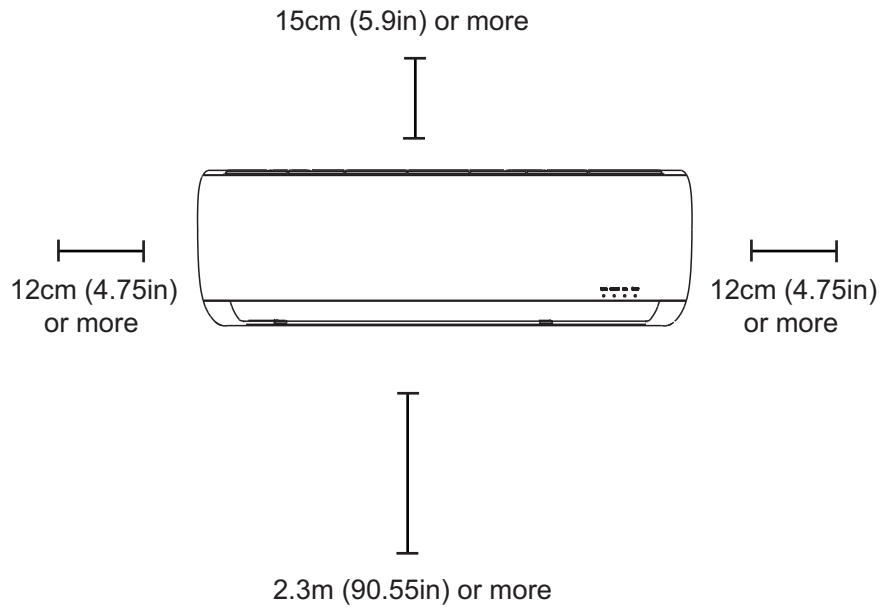


Fig. 4.1

Step 2: Attach mounting plate to wall

The mounting plate is the device on which you will mount the indoor unit.

1. Take out the mounting plate which packed with the indoor unit.
2. Place the mounting plate against the wall in a location that meets the standards in the Select Installation Location step. (See **Mounting Plate Dimensions for detailed information on mounting plate sizes.**)
3. Drill holes for mounting screws in places that:
 - Have studs and can support the weight of the unit
 - Correspond to screw holes in the mounting plate
4. Secure the mounting plate to the wall with the screws provided.
5. Make sure that mounting plate is flat against the wall.

NOTE FOR CONCRETE OR BRICK WALLS:

If the wall is made of brick, concrete, or similar material, drill 5mm-diameter (0.2in-diameter) holes in the wall and insert the sleeve anchors provided. Then secure the mounting plate to the wall by tightening the screws directly into the clip anchors.

Step 3: Drill wall hole for connective piping

You must drill a hole in the wall for refrigerant piping, the drainage pipe, and the signal cable that will connect the indoor and outdoor units.

1. Determine the location of the wall hole based on the position of the mounting plate. Refer to Mounting Plate Dimensions on the next page to help you determine the optimal position. The wall hole should be at least 90mm (3.54in) from the side of the unit, and at a slightly lower angle to facilitate drainage.
2. Using a 90mm (3.54in) core drill, drill a hole in the wall. Make sure that the hole is drilled at a slight downward angle, so that the outdoor end of the hole is lower than the indoor end by about 5mm to 7mm (0.2-0.275in). This will ensure proper water drainage. (See Fig. 4.2)
3. Place the protective wall cuff in the hole. This protects the edges of the hole and will help seal it when you finish the installation process.

! CAUTION

When drilling the wall hole, make sure to avoid wires, plumbing, and other sensitive components.

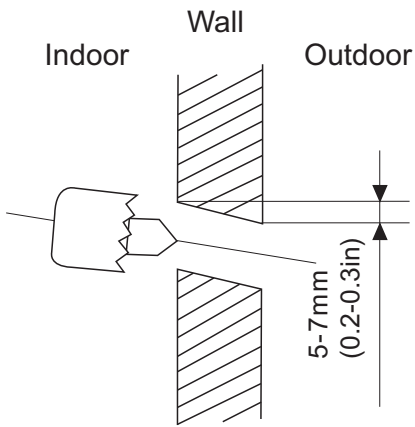
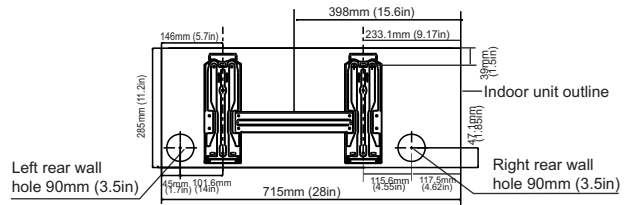
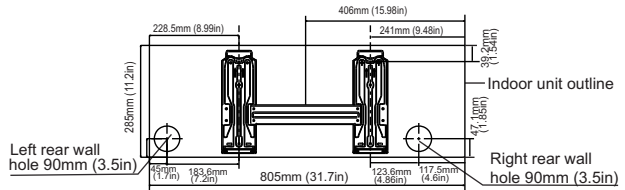


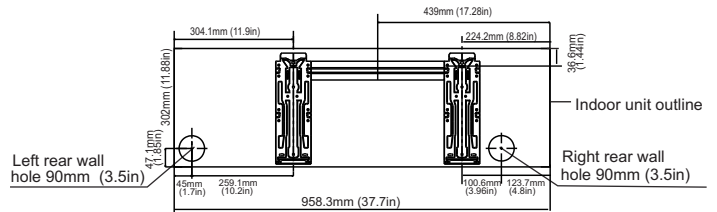
Fig. 4.2



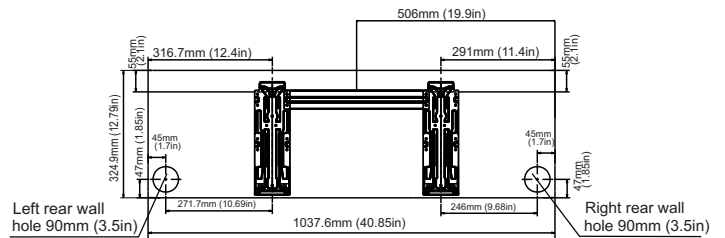
Model A



Model B



Model C



Model D

MOUNTING PLATE DIMENSIONS

Different models have different mounting plates. In order to ensure that you have ample room to mount the indoor unit, the diagrams to the right show different types of mounting plates along with the following dimensions:

- Width of mounting plate
- Height of mounting plate
- Width of indoor unit relative to plate
- Height of indoor unit relative to plate
- Recommended position of wall hole (both to the left and right of mounting plate)
- Relative distances between screw holes

Correct orientation of Mounting Plate

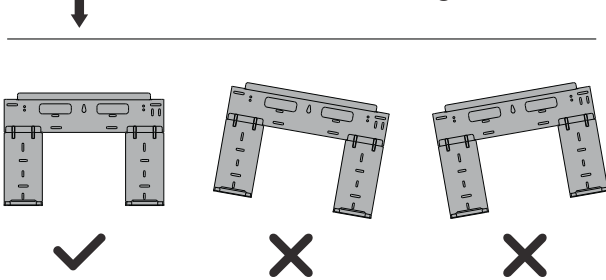


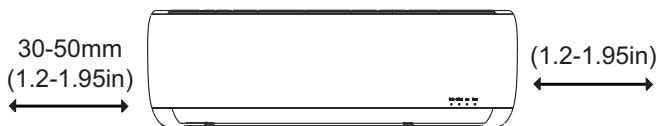
Fig. 4.3

Step 4: Prepare refrigerant piping

The refrigerant piping is inside an insulating sleeve attached to the back of the unit. You must prepare the piping before passing it through the hole in the wall.

UNIT IS ADJUSTABLE

Keep in mind that the hooks on the mounting plate are smaller than the holes on the back of the unit. If you find that you don't have ample room to connect embedded pipes to the indoor unit, the unit can be adjusted left or right by about 30-50mm (1.25-1.95in), depending on the model



Move to left or right
Fig.4.4

4.1 Tools needed

-You will require the following tools to carry out this installation work correctly:

- 1x open-ended spanner, 19 mm
- 1x open-ended spanner, 22 mm/24mm
- 1x open-ended spanner, 24 mm/27mm
- 1x Allen key, 5 mm
- 1x Philips screwdriver
- 1x leak detection spray or alternatively soap suds (water/detergent mix)

4.2 Important information

- Follow the detailed instructions for connecting the refrigerant pipes to the indoor unit and outdoor unit. We can only provide a warranty if the lines are installed correctly as described in the instructions.
- **Do not remove the sealing caps and stoppers until immediately before you install the lines.**
- To prevent leaks, ensure that the quick-release screw connections are absolutely free of dirt. Moisture or foreign bodies will adversely affect the function of the quick-release connectors, leading to a risk of refrigerant loss (not covered by the warranty).
- Only install refrigerant lines outdoors in dry weather.
- The refrigerant lines must not be installed and then plastered over.

- Please make sure that refrigerant is never allowed to enter the environment. Improper handling of refrigerant may be harmful to health. Always wear work gloves and goggles when handling refrigerant.
- Do not smoke during the installation work. The equipment must never be operated without the refrigerant lines connected, otherwise the equipment will be damaged immediately.
- The screw connections may only be tightened using the appropriate open-ended spanner.

Refrigerant pipe
Connectors (both ends):



Fig.4.5

NOTE: To distinguish the connectors to be connected to the indoor unit and outdoor unit, the connectors of the refrigerant pipe has been labelled "A", "B", "C" and "D". Ensure the marks on the connectors are the same to the indoor's and outdoor's respectively during connection.

- Remember that if they are tightened with too little torque, they will leak, but if they are tightened with too much torque, the screw connections may suffer damage. If you should not be confident about connecting the refrigerant line connectors yourself, it is imperative that you contact your customer service team or a refrigeration contractor.

Important! The EQ valves are only designed for one-time installation. Their seal can not be guaranteed if they are installed on more than one occasion. This will also void the warranty.

4.3 Connecting the refrigerant pipes to indoor unit

1. Do not remove the plastic seals from the indoor equipment and the appropriate refrigerant pipe until immediately before you connect them.
2. Align the refrigerant pipes correctly, make sure the dimensions of the connecting refrigerant pipe are the same. Place the screw connector on the refrigerant pipes just on to the thread on the indoor equipment and tighten the first few threads by hand. See Fig.4.6.

IMPORTANT: Before you continue, it is essential that you read the following instructions carefully.



Fig.4.6

3. Hold the points marked "①" using an open-ended spanner and turn the nuts only at the points marked "②" using an open-ended spanner (Select the appropriate spanner according to the dimensions of the connector). See Fig.4.7 & 4.8

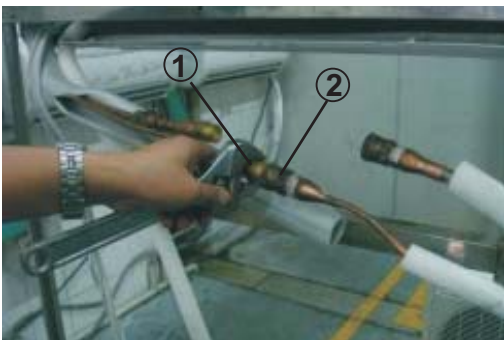


Fig.4.7



Fig.4.8

4. Ensure that the screw connectors do not skew as you tighten them and work quickly.

IMPORTANT: Since the coupling works with tapping rings, it may leak if you undo and reconnect the pipes. This will also void the warranty.

5. After finishing the connection, use the tape to wrap the refrigerant pipe and connecting cable together. See Fig.4.9.



Fig.4.9

6. After finishing connecting the couple of the quick connectors, pass drain hose and refrigerant pipes through the wall hole as shown in Fig.4.10.

NOTE: The quick connector parts must be placed outside of room. Using wall hole sleeve, cap and neoprene to seal the wall hole.



Fig.4.10

7. In order to prevent the quick connector parts from being exposed in the air, the sound deadening pads are supposed to be used during the installation, see Fig.4.11.



Fig.4.11

8. Wrap up the quick connectors with the sound deadening pads, pack down the pads solid as tightly as shown in Fig.4.12.

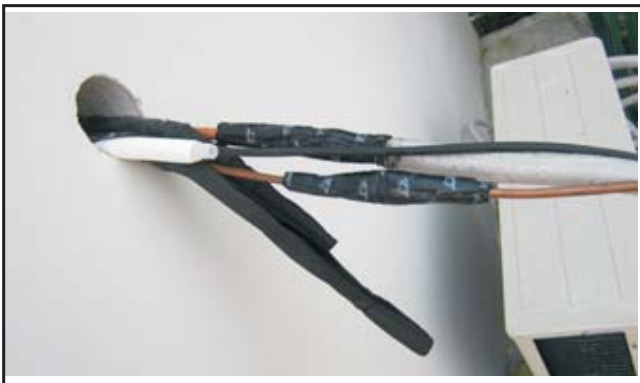


Fig.4.12

9. Then wrap up the connectors with the black insulation material, for the top exposed part, use the white insulation material (supplied in Accessories box) to wrap it up completely as shown in Fig.4.13.



Fig.4.13

10. At last, use the tape to wrap the refrigerant pipe and connecting cable together.

NOTE ON PIPING ANGLE

Refrigerant piping can exit the indoor unit from two different angles:

- Left-hand side
- Right-hand side

Refer to **Fig. 4.14** for details.

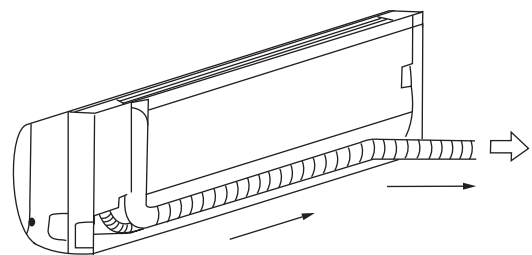
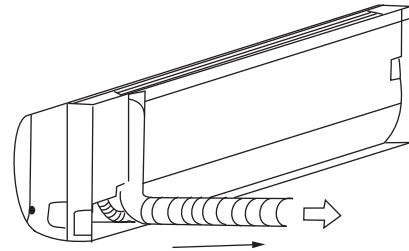


Fig. 4.14

! CAUTION

Be extremely careful not to dent or damage the piping while bending them away from the unit. Any dents in the piping will affect the unit's performance.

Step 5: Connect drain hose

By default, the drain hose is attached to the left-hand side of unit (when you're facing the back of the unit).

1. To ensure proper drainage, attach the drain hose on the same side that your refrigerant piping exits the unit.
2. Attach drain hose extension (purchased separately) to the end of drain hose.
3. Wrap the connection point firmly with Teflon tape to ensure a good seal and to prevent leaks.
4. For the portion of the drain hose that will remain indoors, wrap it with foam pipe insulation to prevent condensation.
5. Remove the air filter and pour a small amount of water into the drain pan to make sure that water flows from the unit smoothly.

NOTE ON DRAIN HOSE PLACEMENT

Make sure to arrange the drain hose according to **Fig. 4.15**.

- ⊘ **DO NOT** kink the drain hose.
- ⊘ **DO NOT** create a water trap.
- ⊘ **DO NOT** put the end of drain hose in water or a container that will collect water.

PLUG THE UNUSED DRAIN HOLE

To prevent unwanted leaks you must plug the unused drain hole with the rubber plug provided.

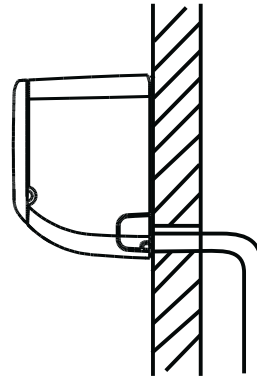
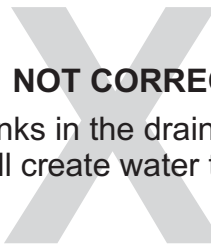


Fig.4.15

CORRECT

Make sure there are no kinks or dent in drain hose to ensure proper drainage.



NOT CORRECT

Kinks in the drain hose will create water traps.

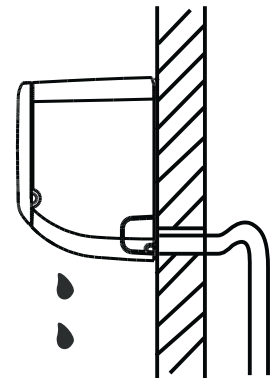
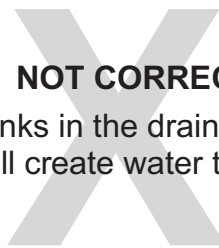
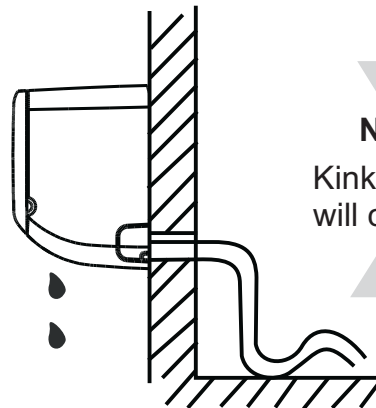


Fig. 4.16



NOT CORRECT

Kinks in the drain hose will create water traps.

Fig. 4.17

NOT CORRECT

Do not place the end of the drain hose in water or in containers that collect water. This will prevent proper drainage.

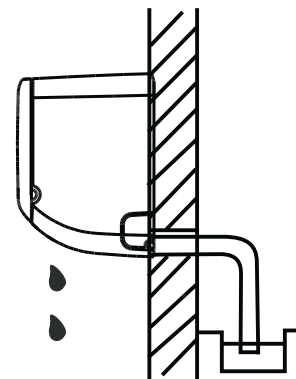


Fig. 4.18

! BEFORE PERFORMING ELECTRICAL WORK, READ THESE REGULATIONS

1. All wiring must comply with local and national electrical codes, and must be installed by a licensed electrician.
2. All electrical connections must be made according to the Electrical Connection Diagram located on the panels of the indoor and outdoor units.
3. If there is a serious safety issue with the power supply, stop work immediately. Explain your reasoning to the client, and refuse to install the unit until the safety issue is properly resolved.
4. Power voltage should be within 90-110% of rated voltage. Insufficient power supply can cause malfunction, electrical shock, or fire.
5. If connecting power to fixed wiring, install a surge protector and main power switch with a capacity of 1.5 times the maximum current of the unit.
6. If connecting power to fixed wiring, a switch or circuit breaker that disconnects all poles and has a contact separation of at least 1/8in (3mm) must be incorporated in the fixed wiring. The qualified technician must use an approved circuit breaker or switch.
7. Only connect the unit to an individual branch circuit outlet. Do not connect another appliance to that outlet.
8. Make sure to properly ground the air conditioner.
9. Every wire must be firmly connected. Loose wiring can cause the terminal to overheat, resulting in product malfunction and possible fire.
10. Do not let wires touch or rest against refrigerant tubing, the compressor, or any moving parts within the unit.
11. If the unit has an auxiliary electric heater, it must be installed at least 1 meter (40in) away from any combustible materials.

! WARNING

BEFORE PERFORMING ANY ELECTRICAL OR WIRING WORK, TURN OFF THE MAIN POWER TO THE SYSTEM.

Step 6: Connect signal and power cables

The signal cable enables communication between the indoor and outdoor units. You must first choose the right cable size before preparing it for connection.

Cable Types

- **Indoor Power Cable (if applicable):** H05VV-F or H05V2V2-F
- **Outdoor Power Cable:** H07RN-F
- **Signal Cable:** H07RN-F

Minimum Cross-Sectional Area of Power and Signal Cables

North America

Rated Current of Appliance (A)	AWG
≤ 7	18
7 - 13	16
13 - 18	14
18 - 25	12
25 - 30	10

Other Regions

Rated Current of Appliance (A)	Nominal Cross Sectional Area (mm ²)
> 3 and ≤ 6	0.75
> 6 and ≤ 10	1
> 10 and ≤ 16	1.5
> 16 and ≤ 25	2.5
> 25 and ≤ 32	4
> 32 and ≤ 40	6

CHOOSE THE RIGHT CABLE SIZE

The size of the power supply cable, signal cable, fuse, and switch needed is determined by the maximum current of the unit. The maximum current is indicated on the nameplate located on the side panel of the unit. Refer to this nameplate to choose the right cable, fuse, or switch.

TAKE NOTE OF FUSE SPECIFICATIONS

The air conditioner's circuit board (PCB) is designed with a fuse to provide over current protection. The specifications of the fuse are printed on the circuit board, such as: T3.15A/250VAC, T5A/250VAC, etc.

1. Prepare the cable for connection:
 - a. Using wire strippers, strip the rubber jacket from both ends of signal cable to reveal about 40mm (1.57in) of the wires inside.
 - b. Strip the insulation from the ends of the wires.
 - c. Using wire crimper, crimp u-type lugs on the ends of the wires.

PAY ATTENTION TO LIVE WIRE

While crimping wires, make sure you clearly distinguish the Live ("L") Wire from other wires.

2. Open front panel of the indoor unit.
3. Using a screwdriver, open the wire box cover on the right side of the unit. This will reveal the terminal block.

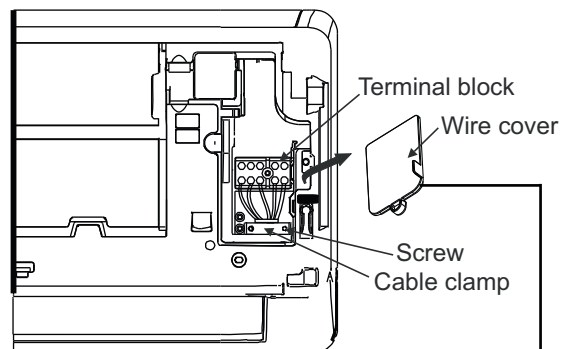


Fig.4.19

The Wiring Diagram is located on the inside of the indoor unit's wire cover.

⚠ WARNING

ALL WIRING MUST PERFORMED STRICTLY IN ACCORDANCE WITH THE WIRING DIAGRAM LOCATED ON THE INSIDE OF THE INDOOR UNIT'S WIRE COVER.

4. Unscrew the cable clamp below the terminal block and place it to the side.
5. Facing the back of the unit, remove the plastic panel on the bottom left-hand side.

6. Feed the signal wire through this slot, from the back of the unit to the front.
7. Facing the front of the unit, match the wire colors with the labels on the terminal block, connect the u-lug and and firmly screw each wire to its corresponding terminal.

! CAUTION

DO NOT MIX UP LIVE AND NULL WIRES

This is dangerous, and can cause the air conditioning unit to malfunction.

8. After checking to make sure every connection is secure, use the cable clamp to fasten the signal cable to the unit. Screw the cable clamp down tightly.
9. Replace the wire cover on the front of the unit, and the plastic panel on the back.

! NOTE ABOUT WIRING

THE WIRING CONNECTION PROCESS MAY DIFFER SLIGHTLY BETWEEN UNITS

Step 7: Wrap piping and cables

Before passing the piping, drain hose, and the signal cable through the wall hole, you must bundle them together to save space, protect them, and insulate them.

1. Bundle the drain hose, refrigerant pipes, and signal cable according to Fig. 4.20

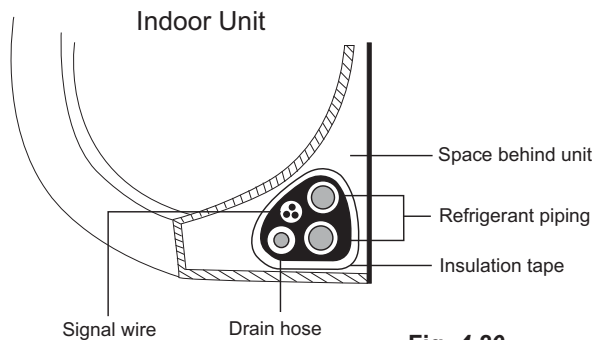


Fig. 4.20

DRAIN HOSE MUST BE ON BOTTOM

Make sure that the drain hose is at the bottom of the bundle. Putting the drain hose at the top of the bundle can cause the drain pan to overflow, which can lead to fire or water damage.

DO NOT INTERTWINE SIGNAL CABLE WITH OTHER WIRES

While bundling these items together, do not intertwine or cross the signal cable with any other wiring.

2. Using adhesive vinyl tape, attach the drain hose to the underside of the refrigerant pipes.
3. Using insulation tape, wrap the signal wire, refrigerant pipes, and drain hose tightly together. Double-check that all items are bundled in accordance with Fig. 4.20.

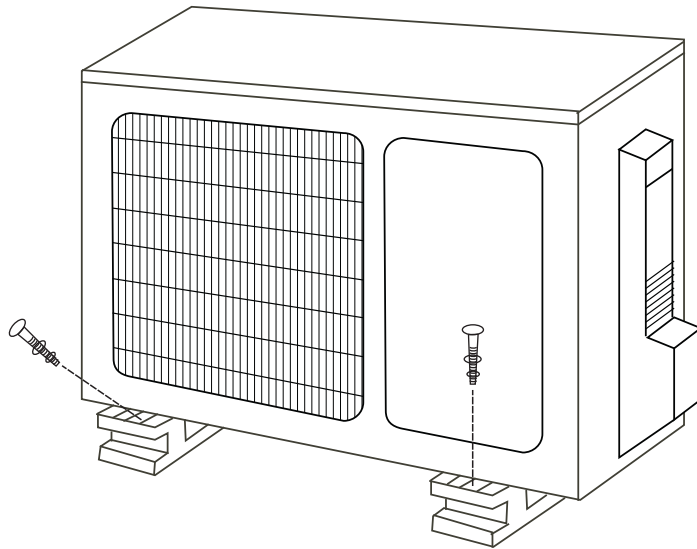
Step 8: Mount indoor unit

If you installed new connective piping to the outdoor unit, do the following:

1. If you have already passed the refrigerant piping through the hole in the wall, proceed to Step 4.
2. Otherwise, double-check that the ends of the refrigerant pipes are sealed to prevent dirt or foreign materials from entering the pipes.
3. Slowly pass the wrapped bundle of refrigerant pipes, drain hose, and signal wire through the hole in the wall.
4. Hook the top of the indoor unit on the upper hook of the mounting plate.
5. Check that unit is hooked firmly on mounting by applying slight pressure to the left and right-hand sides of the unit. The unit should not jiggle or shift.
6. Using even pressure, push down on the bottom half of the unit. Keep pushing down until the unit snaps onto the hooks along the bottom of the mounting plate.
7. Again, check that the unit is firmly mounted by applying slight pressure to the left and the right-hand sides of the unit.

Outdoor Unit Installation

5



Installation Instructions- Outdoor Unit

Step 1: Select installation location

Before installing the outdoor unit, you must choose an appropriate location. The following are standards that will help you choose an appropriate location for the unit.

Proper installation locations meet the following standards:

- ☑ Meets all spatial requirements shown in Installation Space Requirements (Fig. 5.1)
- ☑ Good air circulation and ventilation
- ☑ Firm and solid -the location can support the unit and will not vibrate
- ☑ Noise from the unit will not disturb others
- ☑ Protected from prolonged periods of direct sunlight or rain

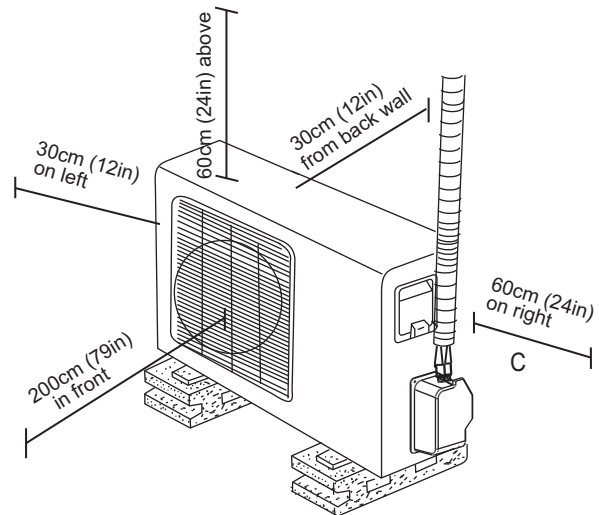


Fig. 5.1

DO NOT install unit in the following locations:

- ⊘ Near an obstacle that will block air inlets and outlets
- ⊘ Near a public street, crowded areas, or where noise from the unit will disturb others
- ⊘ Near animals or plants that will be harmed by hot air discharge
- ⊘ Near any source of combustible gas
- ⊘ In a location that is exposed to large amounts of dust
- ⊘ In a location exposed to a excessive amounts of salty air

SPECIAL CONSIDERATIONS FOR EXTREME WEATHER

If the unit is exposed to heavy wind:

Install unit so that air outlet fan is at a 90° angle to the direction of the wind. If needed, build a barrier in front of the unit to protect it from extremely heavy winds.

See Fig. 5.2 and Fig. 5.3 below.

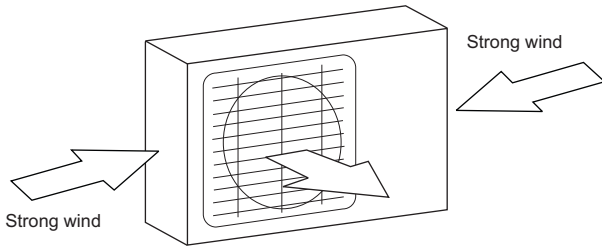


Fig. 5.2

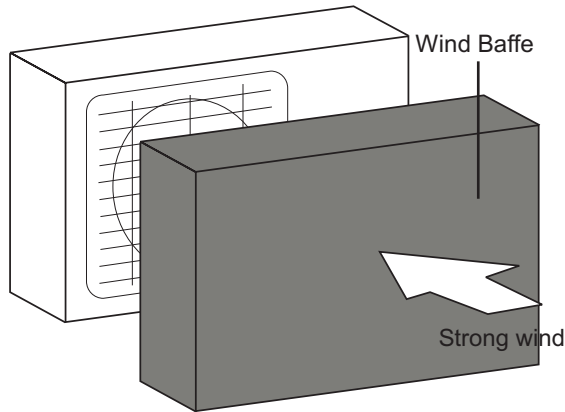


Fig. 5.3

If the unit is frequently exposed to heavy rain or snow:

Build a shelter above the unit to protect it from the rain or snow. Be careful not to obstruct air flow around the unit.

If the unit is frequently exposed to salty air (seaside):

Use outdoor unit that is specially designed to resist corrosion.

Step 2: Install drain joint

Heat pump units require a drain joint. Before bolting the outdoor unit in place, you must install the drain joint at the bottom of the unit. Note that there are two different types of drain joints depending on the type of outdoor unit.

If the drain joint comes with a rubber seal (see Fig. 5.4 - A), do the following:

1. Fit the rubber seal on the end of the drain joint that will connect to the outdoor unit.
2. Insert the drain joint into the hole in the base pan of the unit.
3. Rotate the drain joint 90° until it clicks in place facing the front of the unit.
4. Connect a drain hose extension (not included) to the drain joint to redirect water from the unit during heating mode.

If the drain joint doesn't come with a rubber seal (see Fig. 5.4 - B), do the following:

1. Insert the drain joint into the hole in the base pan of the unit. The drain joint will click in place.
2. Connect a drain hose extension (not included) to the drain joint to redirect water from the unit during heating mode.

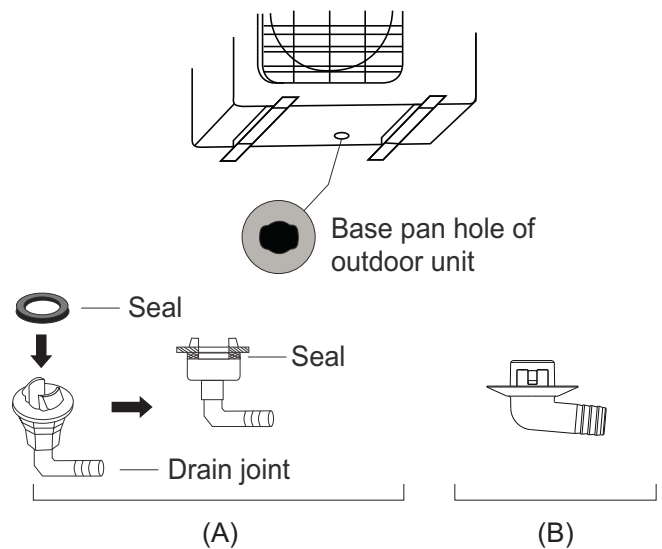


Fig. 5.4

! IN COLD CLIMATES

In cold climates, make sure that the drain hose is as vertical as possible to ensure swift water drainage. If water drains too slowly, it can freeze in the hose and flood the unit.

Step 3: Anchor outdoor unit

The outdoor unit can be anchored to the ground or to a wall-mounted bracket.

UNIT MOUNTING DIMENSIONS

The following is a list of different outdoor unit sizes and the distance between their mounting feet. Prepare the installation base of the unit according to the dimensions below.

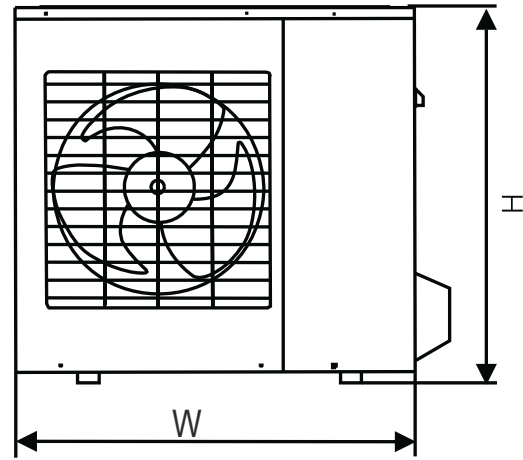
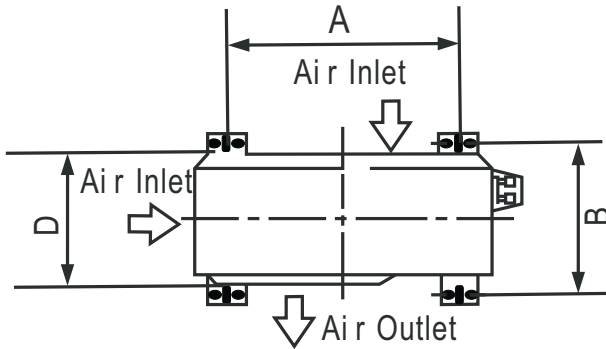


Fig. 5.5

Outdoor Unit Dimensions (mm)	Mounting Dimensions	
	W x H x D	Distance A (mm)
681x434x285 (26.8" x17" x11.2")	460 (18.10")	292 (11.49")
700x550x270 (27.5" x21.6" x10.62")	450 (17.7")	260 (10.24")
700x550x275 (27.5" x21.6" x10.82")	450 (17.7")	260 (10.24")
770x555x300 (30.3" x21.85" x11.81")	487 (19.2")	298 (11.73")
800x554x333 (31.5" x21.8" x13.1")	514 (20.24")	340 (13.39")
845x702x363 (33.25" x27.63" x14.29")	540 (21.26")	350 (13.8")
946x810x420 (37.21" x31.9" x16.53")	673 (26.5")	403 (15.87")
946x810x410 (37.2" x31.9" x16.14")	673 (26.5")	403 (15.87")

If you will install the unit on the ground or on a concrete mounting platform, do the following:

1. Mark the positions for four expansion bolts based on dimensions in the Unit Mounting Dimensions chart.
2. Pre-drill holes for expansion bolts.
3. Clean concrete dust away from holes.
4. Place a nut on the end of each expansion bolt.
5. Hammer expansion bolts into the pre-drilled holes.
6. Remove the nuts from expansion bolts, and place outdoor unit on bolts.
7. Put washer on each expansion bolt, then replace the nuts.
8. Using a wrench, tighten each nut until snug.

WARNING

WHEN DRILLING INTO CONCRETE, EYE PROTECTION IS RECOMMENDED AT ALL TIMES.

If you will install the unit on a wall-mounted bracket, do the following:

CAUTION

Before installing a wall-mounted unit, make sure that the wall is made of solid brick, concrete, or of similarly strong material. **The wall must be able to support at least four times the weight of the unit.**

1. Mark the position of bracket holes based on dimensions in the Unit Mounting Dimensions chart.
2. Pre-drill the holes for the expansion bolts.
3. Clean dust and debris away from holes.
4. Place a washer and nut on the end of each expansion bolt.
5. Thread expansion bolts through holes in mounting brackets, put mounting brackets in position, and hammer expansion bolts into the wall.
6. Check that the mounting brackets are level.
7. Carefully lift unit and place its mounting feet on brackets.
8. Bolt the unit firmly to the brackets.

TO REDUCE VIBRATIONS OF WALL-MOUNTED UNIT

If allowed, you can install the wall-mounted unit with rubber gaskets to reduce vibrations and noise.

Step 4: Connect signal and power cables

The outside unit's terminal block is protected by an electrical wiring cover on the side of the unit. A comprehensive wiring diagram is printed on the inside of the wiring cover.

BEFORE PERFORMING ELECTRICAL WORK, READ THESE REGULATIONS

1. All wiring must comply with local and national electrical codes, and must be installed by a licensed electrician.
2. All electrical connections must be made according to the Electrical Connection Diagram located on the side panels of the indoor and outdoor units.
3. If there is a serious safety issue with the power supply, stop work immediately. Explain your reasoning to the client, and refuse to install the unit until the safety issue is properly resolved.
4. Power voltage should be within 90-110% of rated voltage. Insufficient power supply can cause electrical shock or fire.
5. If connecting power to fixed wiring, install a surge protector and main power switch with a capacity of 1.5 times the maximum current of the unit.
6. If connecting power to fixed wiring, a switch or circuit breaker that disconnects all poles and has a contact separation of at least 1/8in (3mm) must be incorporated in the fixed wiring. The qualified technician must use an approved circuit breaker or switch.
7. Only connect the unit to an individual branch circuit outlet. Do not connect another appliance to that outlet.
8. Make sure to properly ground the air conditioner.
9. Every wire must be firmly connected. Loose wiring can cause the terminal to overheat, resulting in product malfunction and possible fire.
10. **Do not** let wires touch or rest against refrigerant tubing, the compressor, or any moving parts within the unit.
11. If the unit has an auxiliary electric heater, it must be installed at least 1 meter (40in) away from any combustible materials.

! WARNING

BEFORE PERFORMING ANY ELECTRICAL OR WIRING WORK, TURN OFF THE MAIN POWER TO THE SYSTEM.

1. Prepare the cable for connection:

USE THE RIGHT CABLE

- Indoor Power Cable (if applicable): H05VV-F or H05V2V2-F
- Outdoor Power Cable: H07RN-F
- Signal Cable: H07RN-F

Minimum Cross-Sectional Area of Power and Signal Cables

North America

Rated Current of Appliance (A)	AWG
≤ 7	18
7 - 13	16
13 - 18	14
18 - 25	12
25 - 30	10

Other Regions

Rated Current of Appliance (A)	Nominal Cross-Sectional Area (mm ²)
> 3 and ≤ 6	0.75
> 6 and ≤ 10	1
> 10 and ≤ 16	1.5
> 16 and ≤ 25	2.5
> 25 and ≤ 32	4
> 32 and ≤ 40	6

- a. Using wire strippers, strip the rubber jacket from both ends of cable to reveal about 40mm (1.57in) of the wires inside.
- b. Strip the insulation from the ends of the wires.
- c. Using a wire crimper, crimp u-lugs on the ends of the wires.

PAY ATTENTION TO LIVE WIRE

While crimping wires, make sure you clearly distinguish the Live ("L") Wire from other wires.

! WARNING

ALL WIRING MUST PERFORMED STRICTLY IN ACCORDANCE WITH THE WIRING DIAGRAM LOCATED ON THE INSIDE OF THE OUTDOOR UNIT'S WIRE COVER.

2. Unscrew the electrical wiring cover and remove it.
3. Unscrew the cable clamp below the terminal block and place it to the side.
4. Match the wire colors/labels with the labels on the terminal block, and firmly screw the u-lug of each wire to its corresponding terminal.
5. After checking to make sure every connection is secure, loop the wires around to prevent rain water from flowing into the terminal.
6. Using the cable clamp, fasten the cable to the unit. Screw the cable clamp down tightly.
7. Insulate unused wires with PVC electrical tape. Arrange them so that they do not touch any electrical or metal parts.
8. Replace the wire cover on the side of the unit, and screw it in place.

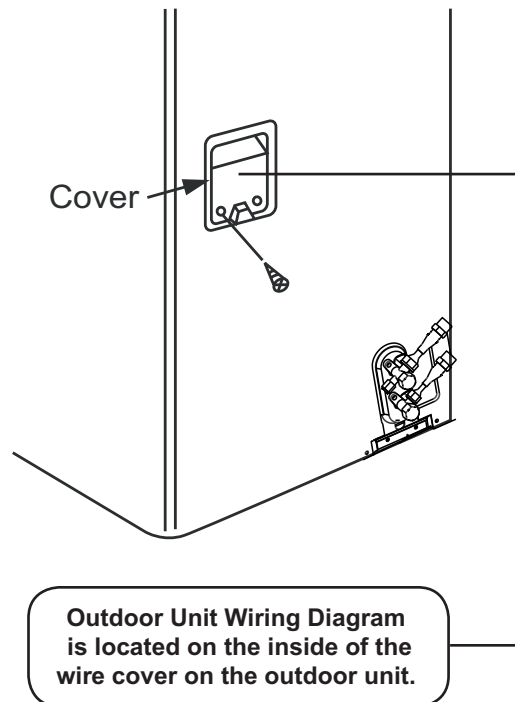


Fig. 5.6

Refrigerant Piping Connection

6

Connecting the refrigerant pipe to outdoor unit

CAUTION: For your safety, always wear goggles and work gloves when connecting the pipes.

NOTE: To distinguish the connectors to be connected to the indoor unit and outdoor unit, the connectors of the refrigerant pipe has been labelled “A”, “B”, “C” and “D”. Ensure the marks on the connector are the same to the indoor’s and outdoor’s respectively during connection.

1. First remove the water tray on the outdoor unit as shown in Fig.6.1.

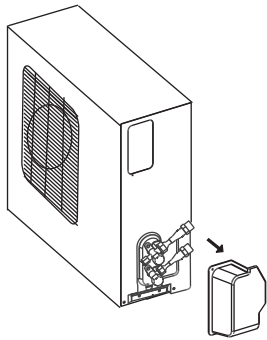


Fig.6.1

2. Do not remove the plastic seals from the outdoor unit and the appropriate refrigerant pipes until immediately before you connect them, Fig.6.2

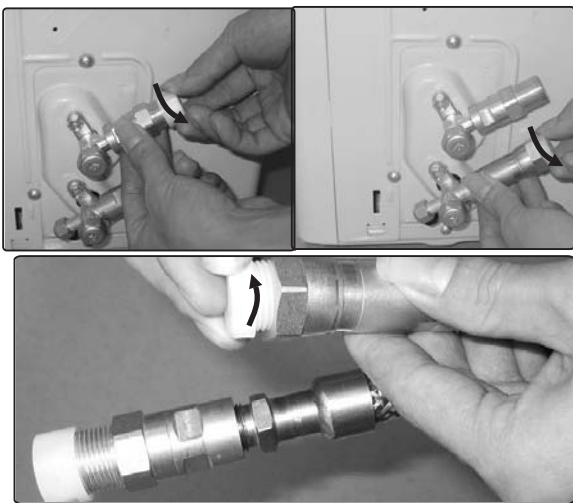


Fig.6.2

3. Align the refrigerant pipes correctly so that they line up with the valves and are not stressed. Place the screw connector on the refrigerant line just on to the thread on the outdoor unit and tighten the first few threads by hand, Fig.6.3.

NOTE: The refrigerant pipes must be connected to the valves on the outdoor unit with as little stress as possible.

IMPORTANT: Before you continue, it is essential that you read the following instructions carefully.



Fig.6.3

4. Now tighten the bottom screw connector first and then the top screw connector using the open-ended spanner. Hold the points marked “①” using an open-ended spanner and turn the nuts only at the points marked “②” using an open-ended spanner (Select the appropriate spanner according to the dimensions of the connector), see Fig.6.4

- Ensure that the screw connectors do not skew as you tighten them and work quickly. See the next page for the proper torque.

IMPORTANT: Since the coupling works with tapping rings, it may leak if you undo and reconnect the pipes. This will also void the warranty.

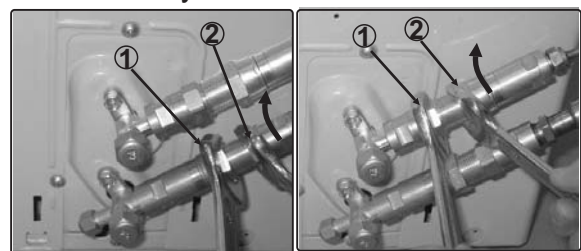


Fig.6.4

Coupling size (last 2 part numbers)	Pound-force foot(1bf-ft)	Newton meter(N-m)	Kilogram-force meter(kgf-m)
-06(9.5mm dash size)	18 - 20	24.4 - 27.1	2.4 - 2.7
-08(12.7mm dash size)	30 - 35	40.6 - 47.4	4.1 - 4.8
-12(19.1mm dash size)	45 - 50	61.0 - 67.7	6.2 - 6.9
-16(25.4mm dash size)	60 - 65	81.3 - 88.1	8.2 - 8.9

After completing steps 1- 4, check that all the connections are sealed correctly using leak detection spray or soap suds. If any bubbles form, the system has a leak and the screw connectors must be retightened using an open-ended spanner.

- Now remove the cover on the top valve using a 19 mm open-ended spanner. Open the valve by turning it counter-clockwise as far as it will go using a 5 mm Allen key. The valve is now open. If the valve is not opened fully, the system may malfunction and suffer damage. Screw the cover back on to the top valve and tighten it well to ensure that it is properly sealed. See Fig.6.5.

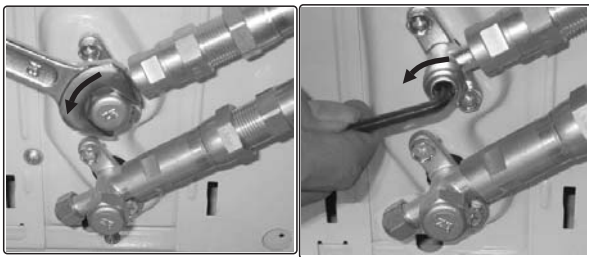


Fig.6.5

- Now remove the cover on the bottom valve using a 19 mm open-ended spanner. Open the valve by turning it counter-clockwise as far as it will go using a 5 mm Allen key. The valve is now open. If the valve is not opened fully, the system may malfunction and suffer

Damage. Screw the cover back on to the bottom valve and tighten it well to ensure that it is properly sealed. See Fig.6.6.

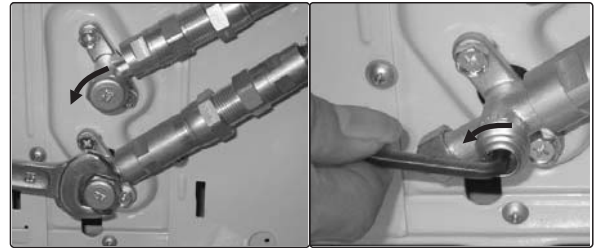


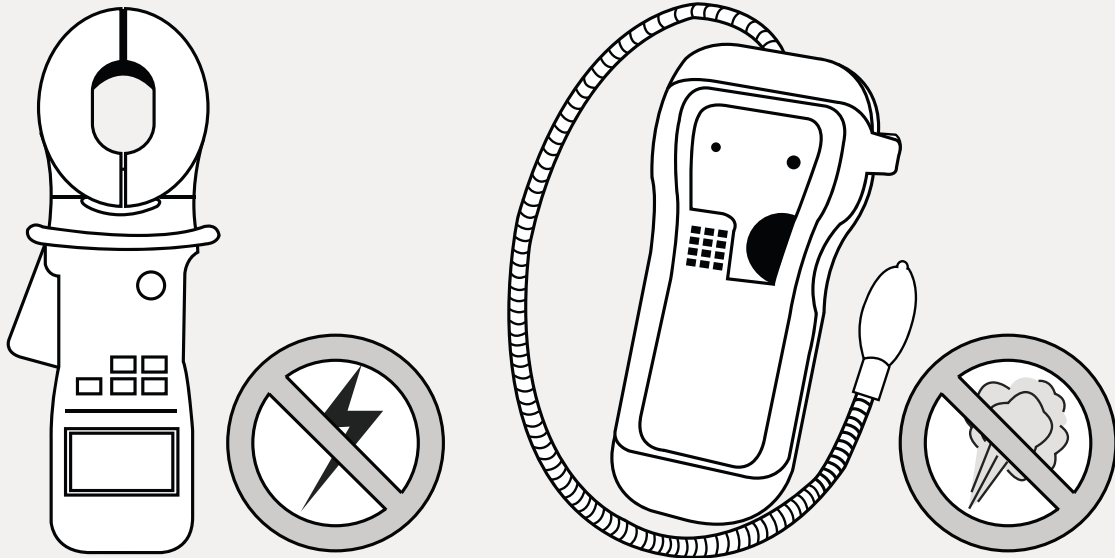
Fig.6.6

Important! The conical ring on the valve has an important sealing function together with the sealing seat in the caps. Ensure that you do not damage the cone and that you keep the cap free of dirt and dust.

- After completing steps 1- 6, check that all the connections are sealed correctly using leak detection spray or soap suds. If any bubbles form, the system has a leak and the screw connectors must be retightened using an open- ended spanner.
- Start the equipment so that the operating pressures build up inside it. Check all the connectors again for signs of leaks
 - during cooling mode
 - in heating mode.
 If any bubbles form, the system has a leak and the screw connectors must be retightened using an open-ended spanner.

Electrical and Gas Leak Checks

7



Electrical Safety Checks

After installation, confirm that all electrical wiring is installed in accordance with local and national regulations, and according to the Installation Manual.

BEFORE TEST RUN

Check Grounding Work

Measure grounding resistance by visual detection and with grounding resistance tester. Grounding resistance must be less than 0.1Ω .

Note: This may not be required for some locations in the US.

DURING TEST RUN

Check for Electrical Leakage

During the Test Run, use an electroprobe and multimeter to perform a comprehensive electrical leakage test.

If electrical leakage is detected, turn off the unit immediately and call a licensed electrician to find and resolve the cause of the leakage.

Note: This may not be required for some locations in the US.



WARNING - RISK OF ELECTRIC SHOCK

ALL WIRING MUST COMPLY WITH LOCAL AND NATIONAL ELECTRICAL CODES, AND MUST BE INSTALLED BY A LICENSED ELECTRICIAN.

Gas Leak Checks

There are two different methods to check for gas leaks.

Soap and Water Method

Using a soft brush, apply soapy water or liquid detergent to all pipe connection points on the indoor unit and outdoor unit. The presence of bubbles indicates a leak.

Leak Detector Method

If using leak detector, refer to the device's operation manual for proper usage instructions.

AFTER PERFORMING GAS LEAK CHECKS

After confirming that the all pipe connection points DO NOT leak, replace the valve cover on the outside unit.

Test Run

8

Before Test Run

Only perform test run after you have completed the following steps:

- **Electrical Safety Checks** - Confirm that the unit's electrical system is safe and operating properly.
- **Gas Leak Checks** - Check all flare nut connections and confirm that the system is not leaking.
- Confirm that gas and liquid (high and low pressure) valves are fully open.

Test Run Instructions

You should perform the Test Run for at least 30 minutes.

1. Connect power to the unit.
2. Press the **ON/OFF** button on the remote controller to turn it on.
3. Press the **MODE** button to scroll through the following functions, one at a time:
 - COOL - Select lowest possible temperature
 - HEAT - Select highest possible temperature
4. Let each function run for 5 minutes, and perform the following checks:

List of Checks to Perform	PASS/FAIL	
No electrical leakage		
Unit is properly grounded		
All electrical terminals properly covered		
Indoor and outdoor units are solidly installed		
All pipe connection points do not leak	Outdoor (2):	Indoor (2):
Water drains properly from drain hose		
All piping is properly insulated		
Unit performs COOL function properly		
Unit performs HEAT function properly		
Indoor unit louvers rotate properly		
Indoor unit responds to remote controller		

DOUBLE-CHECK PIPE CONNECTIONS

During operation, the pressure of the refrigerant circuit will increase. This may reveal leaks that were not present during your initial leak check. Take time during the Test Run to double-check that all refrigerant pipe connection points do not have leaks. Refer to **Gas Leak Check** section for instructions.

5. After the Test Run is successfully complete, and you confirm that all checks points in List of Checks to Perform have PASSED, do the following:
 - a. Using remote control, return unit to normal operating temperature.
 - b. Using insulation tape, wrap the indoor refrigerant pipe connections that you left uncovered during the indoor unit installation process.

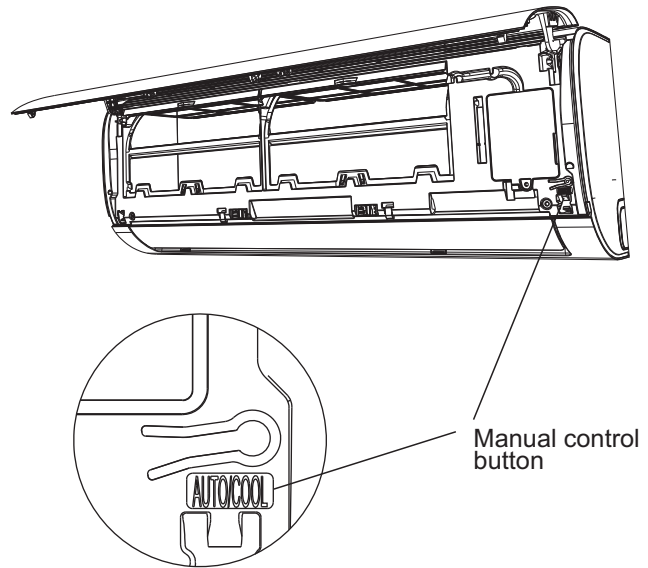


Fig.8.1

IF AMBIENT TEMPERATURE IS BELOW 17°C (63°F)

You can't use the remote controller to turn on the COOL function when the ambient temperature is below 17°C. In this instance, you can use the **MANUAL CONTROL** button to test the COOL function.

1. Lift the front panel of the indoor unit, and raise it until it clicks in place.
2. The **MANUAL CONTROL** button is located on the right-hand side of the unit. Press it 2 times to select the COOL function. See **Fig.8.1**.
3. Perform Test Run as normal.

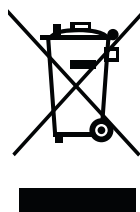
This appliance contains refrigerant and other potentially hazardous materials. When disposing of this appliance, the law requires special collection and treatment. **Do not** dispose of this product as household waste or unsorted municipal waste.

When disposing of this appliance, you have the following options:

- Dispose of the appliance at designated municipal electronic waste collection facility.
- When buying a new appliance, the retailer will take back the old appliance free of charge.
- The manufacturer will take back the old appliance free of charge.
- Sell the appliance to certified scrap metal dealers.

Special notice

Disposing of this appliance in the forest or other natural surroundings endangers your health and is bad for the environment. Hazardous substances may leak into the ground water and enter the food chain.



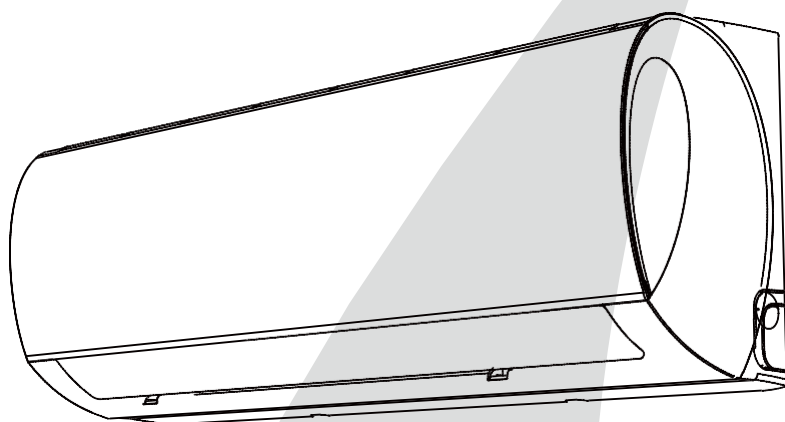
The design and specifications are subject to change without prior notice for product improvement. Consult with the sales agency or manufacturer for details.

MIDEA EUROPE GmbH , Eisenstraße 9c , 65428 Rüsselsheim , Germany

Installationshandbuch

MSR23-Serie AF mit QC

Alle Modellnummern



MSAF5-09HRDN1-QE-IU

MSAF5-12HRDN1-QE-IU

MSAF5-18HRDN1-QE-IU

WICHTIGER HINWEIS:

Lesen Sie dieses Handbuch sorgfältig,
bevor Sie Ihre neue Klimaanlage
installieren oder betreiben. Bewahren Sie
dieses Handbuch für später gut auf.



Inhaltsverzeichnis

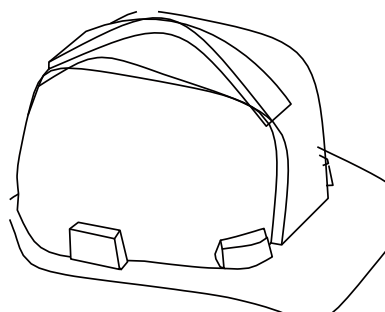
Installationshandbuch

0 Sicherheitsvorkehrungen 4

1 Zubehör 6

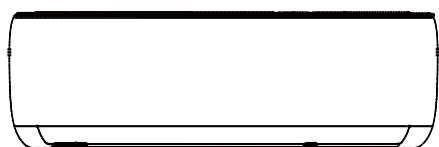
2 Installationsüberblick - Inneneinheit 8

3 Teile der Anlage 10



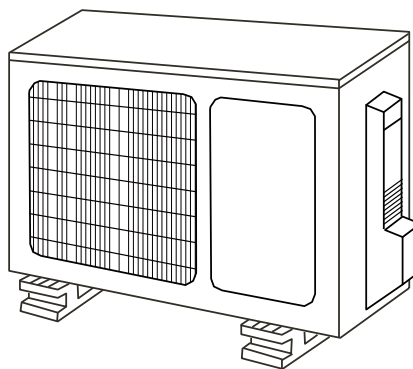
4 Installation der Inneneinheit..... 11

1. Auswahl des Installationsortes 11
2. Wandbefestigung der Montageplatte 12
3. Loch für Verbindungsleitungen bohren 12
4. Kältemittelleitungen vorbereiten 14
5. Ablaufschlauch anschließen 17
6. Signalkabel verbinden 19
7. Leitungen und Kabel umwickeln 20
8. Inneneinheit montieren 20



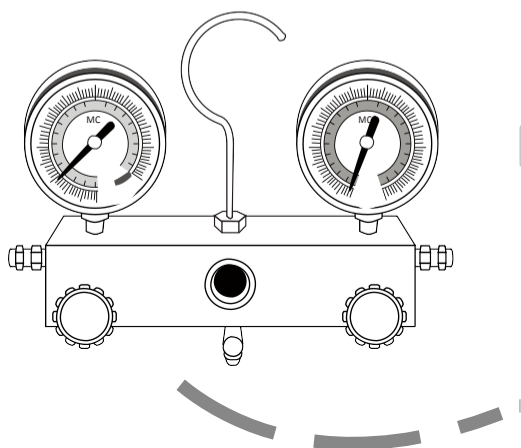
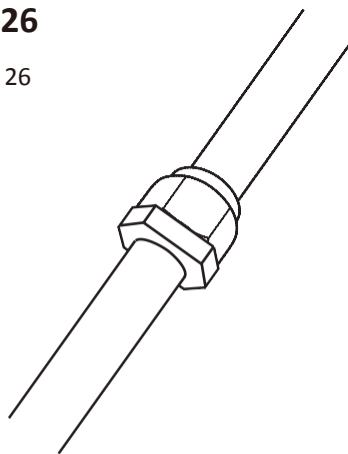
5 Installation der Außeneinheit .. 21

1. Auswahl des Installationsortes 21
2. Ablaufanschluss installieren 22
3. Außeneinheit verankern 23
4. Strom- und Signalkabel verbinden ... 24



6 Kältemittelleitungen 26

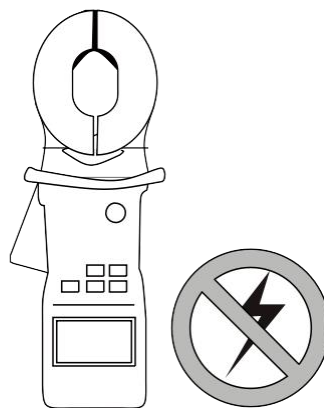
A. Kältemittelleitungen verbinden 26



7 Elektro- und Gasdichtheitsprüfungen 28

8 Testlauf..... 29

9 Europäische Richtlinien zur Entsorgung 31



Sicherheitsvorkehrungen

Lesen Sie die Sicherheitsvorkehrungen vor der Installation

Eine fehlerhafte Installation durch Nichtbeachtung der Anweisungen kann zu schweren Schäden oder zur Verletzung führen.

Die Schwere möglicher Schäden oder Verletzungen ist als WARNUNG oder VORSICHT klassifiziert.



WARNUNG

Dieses Symbol zeigt an, dass eine Nichtbeachtung der Anweisungen zu schweren Verletzungen oder zum Tode führen kann.



VORSICHT

Dieses Symbol zeigt an, dass eine Nichtbeachtung der Anweisungen leichte Verletzungen oder Schäden an Ihrer Anlage oder anderen Dingen verursachen kann.



Dieses Symbol zeigt an, dass Sie das nicht dürfen.



WARNUNG

- ⊘ Verändern Sie **nicht** die Länge des Netzkabels und verwenden kein Verlängerungskabel für die Anlage. Betreiben Sie **nicht** andere Geräte an dieser Steckdose. Falsche oder unzureichende Stromversorgung kann zum Brand oder elektrischen Schlag führen.
 - ⊘ Lassen Sie bei der Verbindung der Kältemittelleitungen **nicht** andere Stoffe oder Gase außer dem vorgegebenen Kältemittel in die Anlage gelangen. Das Vorhandensein anderer Gase oder Stoffe verringert die Leistung der Anlage und kann zu ungewöhnlich hohen Druckwerten im Kältekreislauf führen. Das kann zur Explosion und Verletzung führen.
 - ⊘ Lassen Sie Kinder **nicht** mit der Klimaanlage spielen. Kinder müssen in der Nähe der Anlage ständig beaufsichtigt werden.
1. Die Installation muss ein autorisierter Händler oder Fachmann ausführen. Eine defekte Installation kann zum Wasseraustritt, elektrischen Schlag oder einem Brand führen.
 2. Die Installation muss gemäß den Installationsanweisungen erfolgen. Eine unsachgemäße Installation kann zum Wasseraustritt, elektrischen Schlag oder einem Brand führen. (in Nordamerika darf die Installation entsprechend den Anforderungen von NEC und CEC nur durch autorisierte Fachleute erfolgen.)
 3. Beauftragen Sie einen autorisierten Servicetechniker mit der Wartung oder Reparatur dieser Anlage.
 4. Verwenden Sie nur das mitgelieferte Zubehör sowie die vorgegebenen Teile für die Installation. Die Verwendung abweichender Teile kann zum Wasseraustritt, elektrischen Schlag, Brand und dem Ausfall der Anlage führen
 5. Installieren Sie die Anlage an einem stabilen Ort, der das Gewicht der Anlage tragen kann. Falls der gewählte Ort das Gewicht der Anlage nicht tragen kann oder die Montage nicht richtig erfolgt ist, kann die Anlage herunterfallen und dabei ernste Verletzungen und Schäden verursachen.



WARNUNG

6. Beachten Sie bei allen Elektroarbeiten die örtlichen und nationalen Schaltungsvorschriften, Vorgaben und das Installationshandbuch. Zur Stromversorgung müssen Sie einen separaten Stromkreis und eine Einzelsteckdose verwenden. Schließen Sie keine weiteren Geräte an dieser Steckdose an. Unzureichende elektrische Leistung oder Schäden an der Elektrik können zum elektrischen Schlag oder Brand führen.
7. Verwenden Sie für alle elektrischen Arbeiten die angegebenen Kabel. Verbinden Sie die Kabel fest und sichern sie mit Klemmen, damit äußere Kraft nicht die Anschlüsse beschädigen können. Fehlerhafte elektrische Verbindungen können zu Überhitzung und Brand führen und ebenso einen elektrischen Schlag verursachen.
8. Alle Kabel müssen richtig verlegt sein, damit die Abdeckung der Steuerplatine richtig geschlossen werden kann. Falls die Abdeckung der Steuerplatine nicht richtig geschlossen ist, kann das zu Korrosion führen und dann zur Erhitzung der Kontaktstellen, so dass diese Feuer fangen oder einen elektrischen Schlag verursachen.
9. In bestimmten Funktionsräumen wie Küchen, Server-Räumen usw. wird der Einsatz speziell dafür ausgelegter Klimaanlage dringend empfohlen.
10. Wenn das Anschlusskabel beschädigt ist, muss es durch einen Servicefachmann des Herstellers oder eine ähnlich qualifizierte Person ausgetauscht werden, um Gefährdungen zu vermeiden.
11. Dieses Gerät kann von Kindern ab 8 Jahren und von Personen mit eingeschränkten physischen, sensorischen oder geistigen Fähigkeiten oder mangelnder Erfahrung betrieben werden, wenn eine angemessene Aufsicht vorhanden ist oder eine ausführliche Anleitung zur Benutzung des Geräts erteilt wurde, damit es in einer sicheren Weise betrieben werden kann. Kinder dürfen mit dem Gerät nicht spielen. Die Reinigung und Wartung darf nicht von Kindern ohne Aufsicht durchgeführt werden. (Gültig für die europäischen Länder)



VORSICHT

- ⊘ Installieren Sie Anlagen mit einem zusätzlichen Elektroheizer **nicht** im Abstand von 1 Meter (3 Fuß) von brennbaren Materialien.
- ⊘ Installieren Sie die Anlage **nicht** an einem Ort, an dem brennbare Gase ausströmen könnten. Falls sich brennbare Gase rund um die Anlage ansammeln, kann das einen Brand auslösen.
- ⊘ Betreiben Sie Ihre Klimaanlage **nicht** in einem Feuchtraum wie einem Bad oder einem Waschraum. Wenn die elektrischen Bauteile zu viel Wasser ausgesetzt sind, kann das zum Kurzschluss führen.
1. Das Produkt muss bei der Installation vorschriftsmäßig geerdet sein, weil es sonst zum elektrischen Schlag kommen kann.
2. Verlegen Sie die Ablaufleitungen gemäß den Anweisungen in diesem Handbuch. Ein fehlerhafter Ablauf kann Wasserschäden an Ihrer Wohnung und dem Eigentum verursachen.

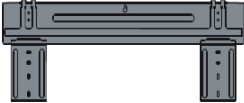



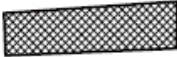



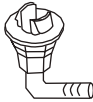
Hinweis zu fluorierten Gasen




1. Diese Klimaanlage enthält fluorierte Gase. Für genauere Informationen über Menge und Typ des Gases sehen Sie bitte auf dem entsprechenden Schild an der Anlage selbst nach.
2. Installation, Service, Wartung und Reparaturen dieser Anlage müssen von einem zertifizierten Techniker durchgeführt werden.
3. Demontage und das Recycling des Produkts müssen von einem zertifizierten Techniker ausgeführt werden.
4. Falls das System eine Leckerkennung hat, muss es mindestens alle 12 Monate auf Lecks überprüft werden.
5. Wenn die Anlage auf Lecks geprüft worden ist, sollte die Aufzeichnungen zu allen Prüfungen unbedingt aufbewahrt werden.

Zubehör

1

Die Klimaanlage wird mit folgendem Zubehör geliefert. Verwenden Sie sämtliche Installations- und Zubehörteile für die Montage der Klimaanlage. Eine fehlerhafte Installation kann zum Wasseraustritt, elektrischen Schlag und Brand führen oder die Ausrüstung herunterfallen lassen.

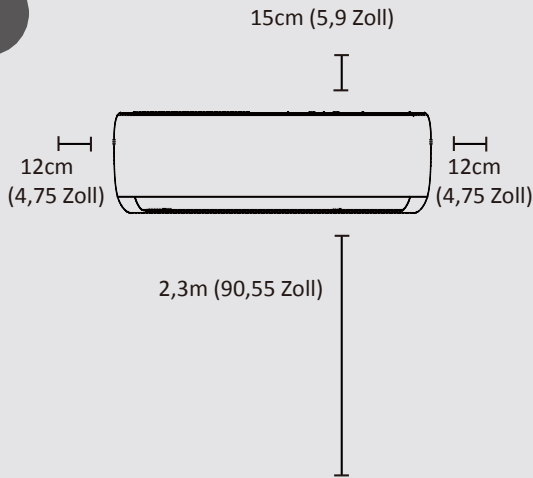
Name	Form	Menge
Montageplatte		1
Klemmanker		5
Befestigungsschrauben der Montageplatte ST3.9 X 25		5
Fernbedienung		1
Luftreinigungsfilter		2
Leitungsset mit Schnellverbindern		1
Trockenbatterien AAA.LR03		2
Dichtung		1 (nur für Kühl- & Heizmodelle)
Ablaufanschluss		

Name	Form	Menge
Bedienhandbuch		1
Installationshandbuch		1
Bedienungs- anleitung Fernbedienung		1

Installationsüberblick - Inneneinheit

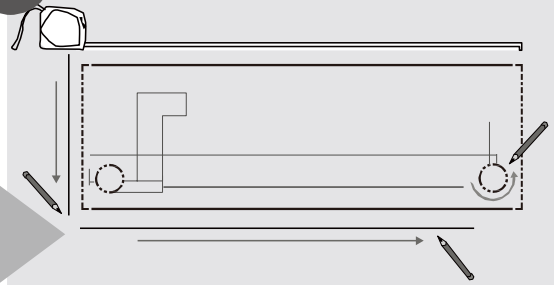
2

1



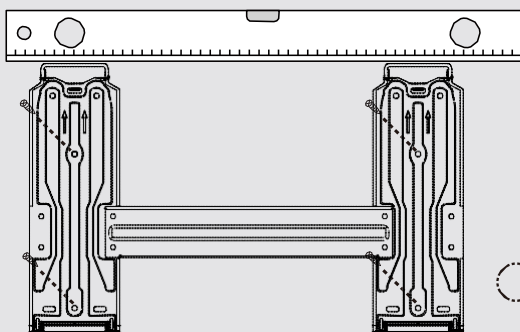
Auswahl des Installationsortes
(Seite 11)

2



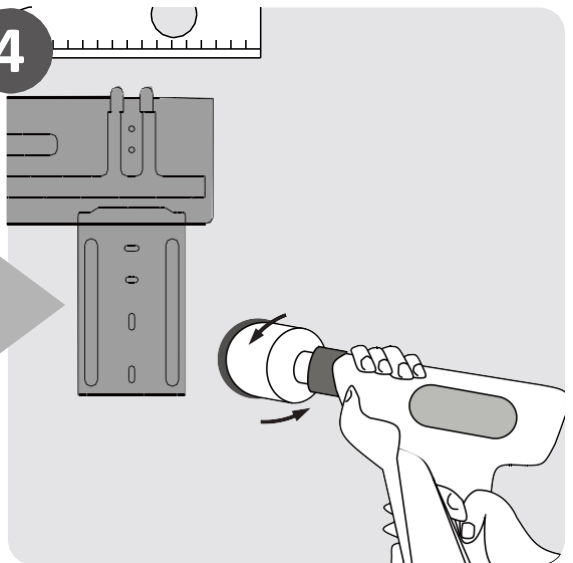
Bestimmen der Wandlochposition
(Seite 12)

3

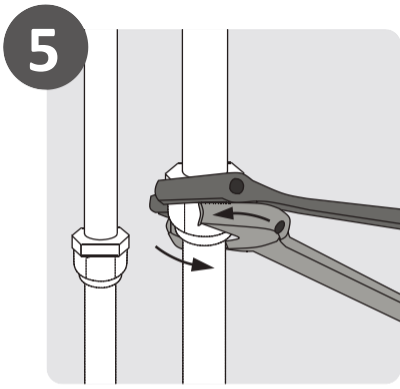


Anbringen der Montageplatte
(Seite 12)

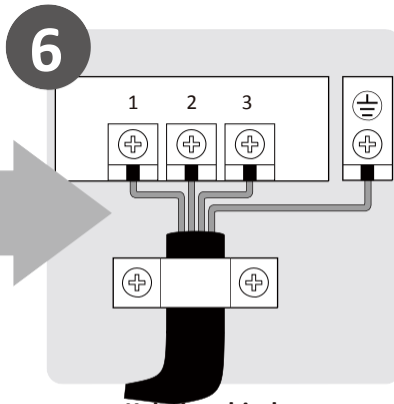
4



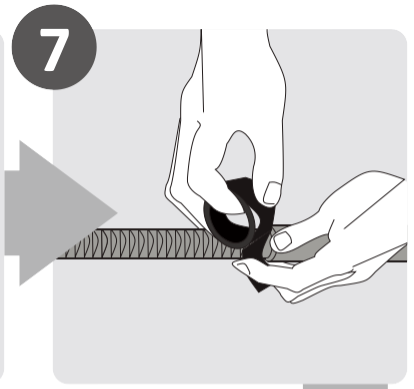
Wand Loch bohren
(Seite 12)



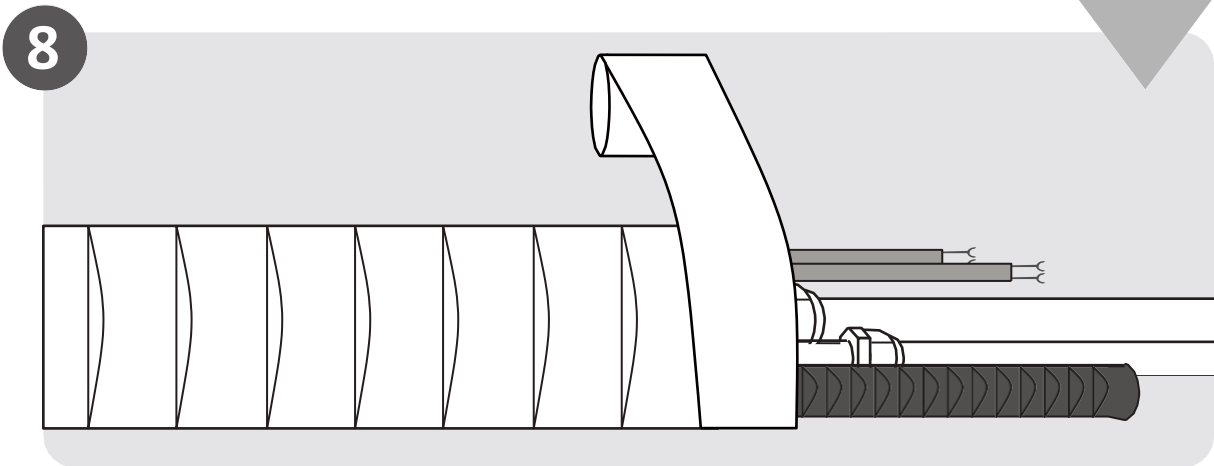
5
Leitungen verbinden
(Seite 15)



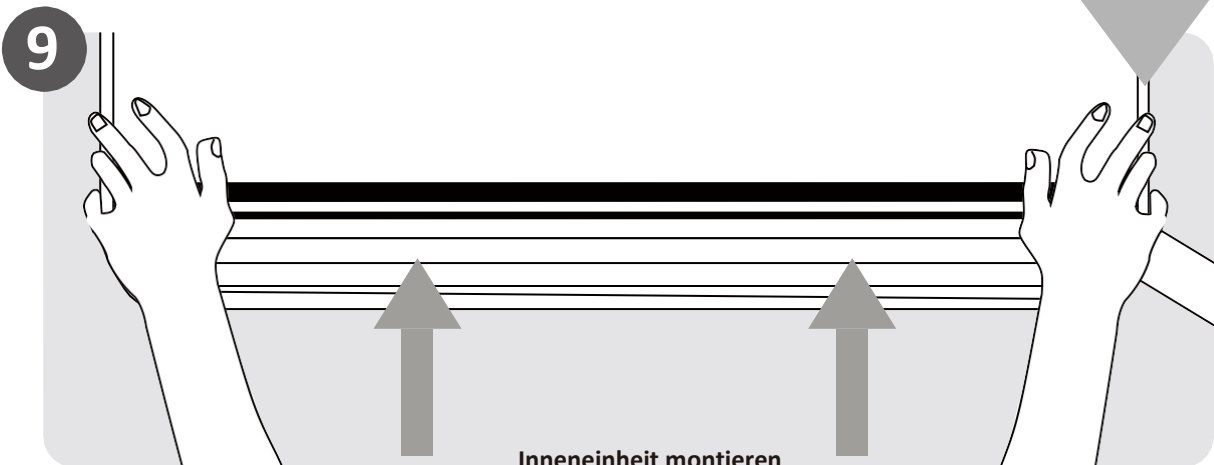
6
Kabel verbinden
(Seite 19)



7
Ablaufschlauch
vorbereiten (Seite 17)



8
Leitungen und Kabel umwickeln
(Seite 20)



9
Inneneinheit montieren
(Seite 20)

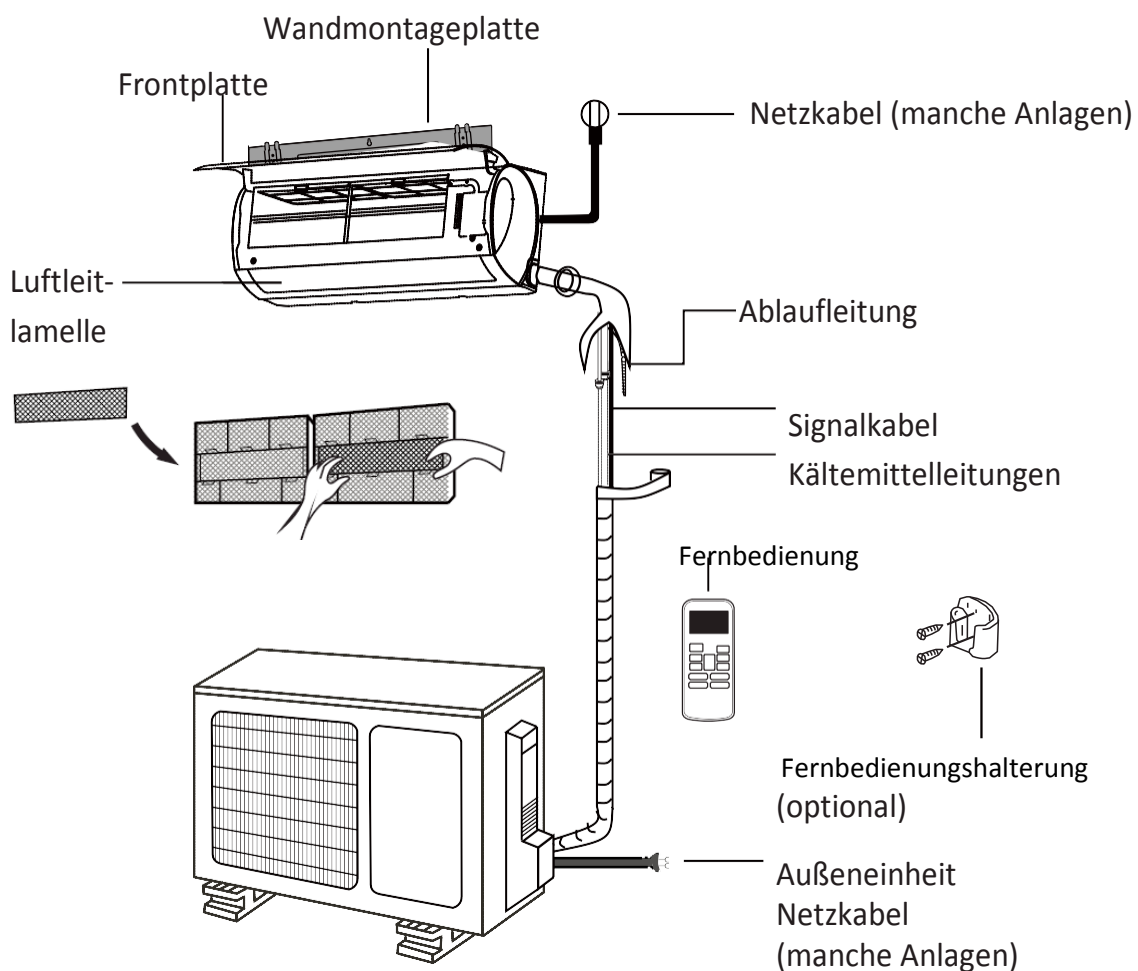


Abb. 3.1

HINWEIS ZU DEN ABBILDUNGEN

Die Abbildungen in diesem Handbuch dienen nur zur Veranschaulichung. Die tatsächliche Form Ihrer Inneneinheit kann sich geringfügig davon unterscheiden. Die tatsächliche Form soll dominieren.

Installation der Inneneinheit



Installationsanweisungen – Inneneinheit

VOR DER INSTALLATION

Prüfen Sie vor der Installation der Inneneinheit das Etikett auf dem Produktkarton, damit die Modellnummern der Inneneinheit und Außeneinheit zueinander passen.

Schritt 1: Auswahl des Installationsortes

Vor der Installation der Inneneinheit müssen Sie einen geeigneten Montageort wählen. Folgende Standards helfen Ihnen bei der Auswahl des geeigneten Montageortes für die Anlage.

Geeignete Installationsorte müssen folgende Standards erfüllen:

- Gute Luftzirkulation
- Bequemer Ablauf
- Geräusche von der Anlage stören keinen anderen Leute
- Fest und stabil—der Montageort federt nicht
- Ausreichend stark, um das Gewicht der Anlage zu tragen
- Mindestens ein Meter von allen anderen elektrischen Geräten entfernt (z.B. Fernseher, Radio, Computer)

Installieren Sie die Anlage NICHT an folgenden Orten:

- In der Nähe von Hitze, Dampf oder brennbaren Gasen
- In der Nähe brennbarer Dinge wie Vorhänge oder Kleidung
- In der Nähe von Hindernissen, die die Luftzirkulation blockieren können
- In der Nähe des Türeingangs
- An einer Stelle, wo direktes Sonnenlicht auftrifft

HINWEIS ZUM WANDLOCH:

Falls es keine feste Kältemittelleitung gibt:

Bedenken Sie bei der Ortsauswahl, dass genug Platz für die Wandbohrung bleibt (siehe Schritt **Wandbohrung für Verbindungsleitungen bohren**) für Signalkabel und Kältemittelleitungen, die Inneneinheit und Außeneinheit miteinander verbinden. Die Standardposition für alle Leitungen ist rechts an der Inneneinheit (beim Draufblicken auf die Einheit).

Die Einheit kann die Leitungen jedoch sowohl rechts als auch links unterbringen.

Beachten Sie folgende Zeichnung für die richtigen Abstände zu Wänden und der Decke:

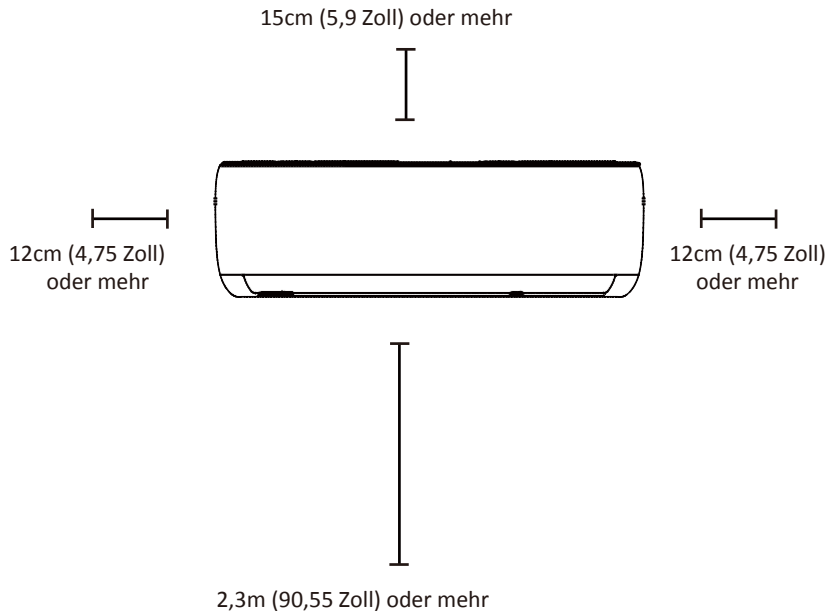


Abb. 4.1

Schritt 2: Wandbefestigung der Montageplatte

Auf der Montageplatte befestigen Sie später die Inneneinheit.

1. Lösen Sie die Schrauben, mit denen die Montageplatte auf der Rückseite der Inneneinheit angebracht ist.
2. Halten Sie die Montageplatte so an die Wand, dass die Standards für die **Auswahl des Montageortes erfüllt sind. (siehe Abmessungen der Montageplatte für ausführliche Information zur Größe der Montageplatte.)**
3. Bohren Sie die Löcher für die Montageschrauben so, dass:
 - sie ausreichend stark sind, um das Gewicht der Einheit zu tragen
 - sie zu den entsprechenden Löchern der Montageplatte passen
4. Schrauben Sie die Montageplatte mit den mitgelieferten Schrauben an der Wand an.
5. Achten Sie darauf, dass die Montageplatte eben an der Wand anliegt.

HINWEIS FÜR BETON- ODER ZIEGELWÄNDE:

Falls die Wand aus Beton, Mauerstein oder ähnlichem Material ist, bohren Sie Löcher mit 5mm Durchmesser in die Wand und setzen die mitgelieferten Ankerhülsen ein. Dann befestigen Sie die Montageplatte an der Wand, indem Sie diese direkt an den Klemmankern anschrauben.

Schritt 3: Wandbohrung für Verbindungsleitungen bohren

Sie müssen ein Loch für die Kältemittelleitungen, die Ablaufleitung und das Signalkabel in die Wand, welche Inneneinheit und Außeneinheit miteinander verbinden.

1. Bestimmen Sie die Stelle des Wandloches anhand der Position der Montageplatte. Siehe **Abmessungen der Montageplatte** auf der nächsten Seite als Hilfe zur Bestimmung der optimalen Position. Die Wandbohrung sollte mindestens 65mm Durchmesser haben und leicht abfallend verlaufen, um den Ablauf zu erleichtern.
2. Bohren Sie das Loch in der Wand mit einem 65-mm Kernbohrer. Achten Sie darauf, dass das Loch leicht abwärts geneigt zu bohren, so dass die äußere Seite des Loches etwa 5-7mm niedriger liegt als die innere. Das gewährleistet einen guten Wasserablauf. (siehe **Abb. 4.2**)
3. Setzen Sie die schützende Wandmanschette in das Loch ein. Das schützt die Kanten der Bohrung und hilft bei der Abdichtung zum Abschluss der Installation.

! VORSICHT

Achten Sie beim Bohren darauf, keine Kabel, Leitungen oder sonstigen Dinge zu treffen.

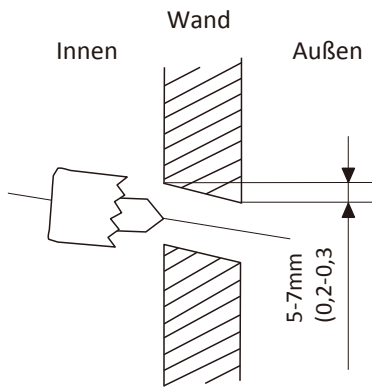
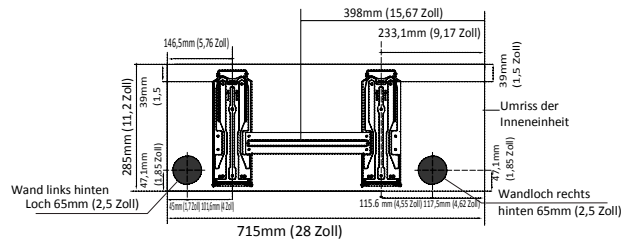


Abb. 3.2

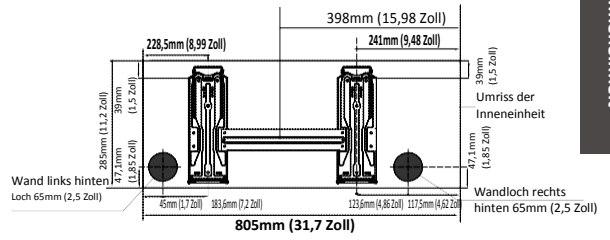
ABMESSUNGEN DER MONTAGEPLATTE

Verschiedene Modelle haben unterschiedliche Montageplatten. Damit Sie genügend Platz zur Montage der Inneneinheit haben, zeigen die Diagramme rechts unterschiedliche Varianten der Montageplatten zusammen mit den folgenden Abmessungen:

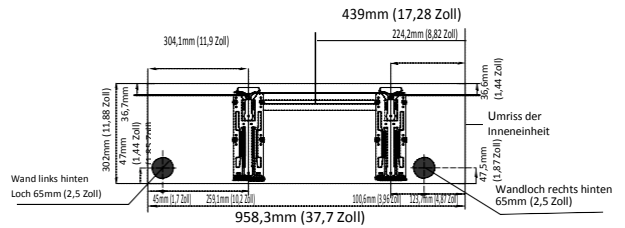
- Breite der Montageplatte
- Höhe der Montageplatte
- Breite der Inneneinheit relativ zur Platte
- Höhe der Inneneinheit relativ zur Platte
- Empfohlene Stelle für das Wandloch (sowohl links als auch rechts an der Montageplatte)
- Relative Abstände zwischen den Bohrlöchern



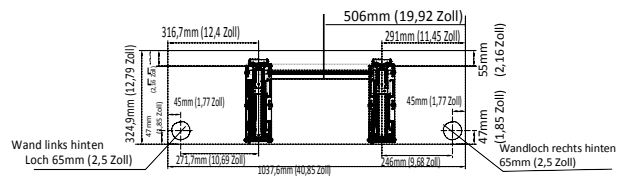
Modell A



Modell B

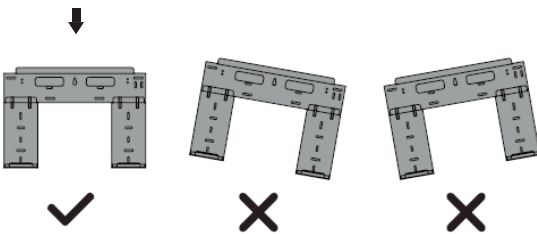


Modell C



Modell D

Richtige Ausrichtung der Montageplatte



Installation der Inneneinheit

Schritt 4:

Die Kältemittelleitungen befinden sich in einem Isolierschlauch und sind hinten an der Einheit angebracht. Sie müssen die Leitungen vorbereiten, bevor sie diese durch die Wandöffnung schieben.

Innengerät ist verschiebbar

1. Bitte beachten Sie dass die Haken der Montageplatte schmaler sind als die Löcher in dem Innengerät. Bei Bedarf kann das Innengerät um 30-50mm, abhängig vom Modell, zur Erleichterung der Montage der Rohrleitungen verschoben werden

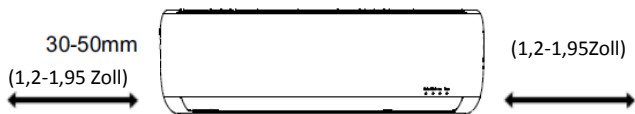


Abb. 4.4.

4.1 Benötigtes Werkzeug

Zur ordnungsgemäßen Montage wird folgendes Werkzeug benötigt:

- Rollgabelschlüssel 19-24 mm
- Rollgabelschlüssel 22-27 mm
- Innensechskant 5mm
- Philips Schraubendreher
- Lecksuchspray, alternativ Seifenwasser

4.2 Wichtige Informationen

- Die Montageanleitung zum Verbinden der Kältemittelleitungen an der Innen- und Außeneinheit ist genau zu befolgen. Es besteht nur ein Anspruch auf Garantie wenn die Anlage ordnungsgemäß angeschlossen wurde.
- **Die Schutzkappen erst unmittelbar vor dem Verbinden der Leitungen entfernen!**
- Um Undichten zu vermeiden sicherstellen, dass die Quickanschlüsse frei von Verschmutzungen sind. Fremdkörper und Feuchte beeinträchtigen die Quickanschlüsse nachteilig und können zu Kältemittelverlust führen (nicht Teil der Gewährleistung).
- Die Kältemittelleitungen nur bei trockenem Wetter installieren. Ein Verputzen der Leitungen ist nicht erlaubt.
- Stellen Sie unbedingt sicher, dass kein Kältemittel in die Umwelt gelangt. Unsachgemäßer Umgang mit Kältemittel führt Ihnen und der Umwelt Schaden zu. Tragen Sie jederzeit Schutzhandschuhe und eine Schutzbrille.

- Stellen Sie unbedingt sicher, dass kein Kältemittel in die Umwelt gelangt. Unsachgemäßer Umgang mit Kältemittel führt Ihnen und der Umwelt Schaden zu. Tragen Sie jederzeit Schutzhandschuhe und eine Schutzbrille.
- Rauchen während der Montage ist untersagt. In Betrieb setzen der Anlage OHNE angeschlossene Kältemittelleitung führt zur Beschädigung der Anlage.
- Zum Anziehen der Quick-Verschraubung ein Gabelschlüssel in passender Größe verwenden.

Kältemittelleitung
Quick-Verschraubungen (beidseitig)



Abb. 4.5

Hinweis: Die Anschlüsse an den Kältemittelleitungen sind mit „A“, „B“, „C“ und „D“ beschriftet. Stellen Sie sicher, dass die Markierungen an den Anschlüssen mit den Verbindungen an dem Innen- und Außengerät übereinstimmen.

- Bitte beachten Sie, dass eine zu leicht angezogene Verschraubung undicht ist, eine zu fest angezogene Verschraubung kann wiederum dadurch beschädigt werden. Wenn Sie unsicher im Umgang mit Quick-Verschraubungen sind lassen Sie die Arbeiten von unserem Servicepartner ausführen.

Wichtig:

Die Quick-Anschlüsse sind für einmalige Montage gedacht. Bei der mehrmaligen Montage kann keine Dichtheit garantiert werden.

4.3 Kältemittelleitungen an der Inneneinheit anschließen

1. Die Schutzkappen am Gerät und an der Leitung erst unmittelbar vor dem Herstellen der Verbindung entfernen.
2. Die Kältemittelleitungen ordentlich ausrollen, stellen Sie sicher das die Quick-Verschraubungen die gleichen Dimensionen haben. Setzen Sie die Quick-Verschraubungen der Leitung an den Anschluss am Innengerät an und ziehen Sie die ersten Umdrehungen per Hand an. Siehe Abb. 4.6

WICHTIG: Lesen Sie diese Anleitung sorgfältig durch bevor Sie mit der Installation fortfahren.



Abb. 4.6

3. Die Rohrleitung mit dem Rollgabelschlüssel an Markierung '1' festhalten, die Überwurfmutter nur an der mit '2' markierten Stelle drehen (Größe der Rollgabelschlüssel entsprechend den Dimensionen der Verschraubungen auswählen). Siehe Abb. 4.7 & 4.8

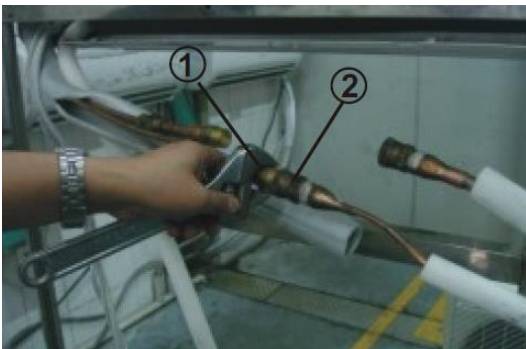


Abb. 4.7.



Abb. 4.8

4. Stellen Sie sicher, dass die Verschraubungen beim Andrehen nicht schräg sitzen und arbeiten Sie zügig.

WICHTIG: Die Quick-Anschlüsse sind für einmalige Montage gedacht. Bei der mehrmaligen Montage kann keine Dichtheit garantiert werden

5. Nachdem die Anschlüsse hergestellt sind benutzen Sie das Wickelband um die Kältemittelleitungen und die elektrische Verbindungsleitung zu bündeln. Siehe Abb. 4.9



Abb.4.9

6. Nachdem Sie die Quick-Verschraubungen verbunden haben stecken Sie die Kältemittelleitungen und die Kondensatleitung durch die Wandöffnung. Siehe Abb. 4.10

HINWEIS: Die Quick-Verschraubungen müssen außerhalb des Zimmers angeordnet sein. Die Wandöffnung ist mit geeigneten Mitteln zu verschließen.



Abb. 4.10

7. Um Kondensat und Oxidation der Quick-Verschraubungen an der Luft zu verhindern verwenden Sie die schwarzen Bitumenmatten. Siehe Abb. 4.11



8. Wickeln Sie die schwarzen Bitumenmatten eng und fest um die Quick-Verschraubungen. Siehe Abb. 4.12



Abb. 4.12

9. Bündeln Sie die Kältemittelleitungen und isolieren Sie sie mit geeignetem Klebeband, z. B. geschlossenzelligem Kautschukband. Siehe Abb. 4.13



Abb. 4.13

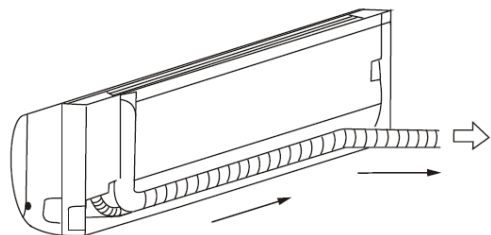
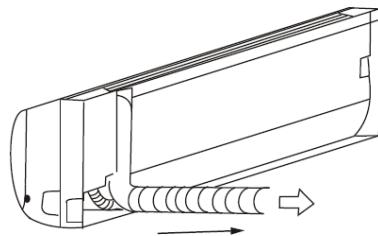
10. Zum Schluss umwickeln Sie die Kältemittelleitungen und die elektrische Verbindungsleitung zusammen.

HINWEIS ZUM INNENGERÄTEANSCHLUSS

Die Kältemittelleitungen können das Innengerät an 2 Stellen verlassen:

- Linksseitig
- Rechtsseitig

Siehe Abb. 4.14 zur Verdeutlichung



WARNING

Die Leitung am Innengerät muss mit äußerster Vorsicht gebogen werden um die Leitung nicht abzuknicken bzw. zu beschädigen. Jede Verformung der Leitung beeinträchtigt die Leistung des Gerätes.

Schritt 5: Ablaufschlauch anschließen

Standardmäßig ist der Ablaufschlauch links an der Einheit angeschlossen (wenn Sie von hinten auf die Einheit schauen). Er kann jedoch auch rechts angeschlossen werden.

1. Für einen zuverlässigen Ablauf schließen Sie den Ablaufschlauch auf derselben Seite an, wo auch die Kältemittelleitungen aus der Einheit kommen.
2. Schließen Sie die Ablaufschlauchverlängerung (separat zu kaufen) am Ende des Ablaufschlauchs an.
3. Umwickeln Sie die Verbindung fest mit Teflonband, um gut abzudichten und Undichtheiten zu vermeiden.
4. Umwickeln Sie den Teil des Ablaufschlauches im Innenraum mit Schaumstoffisolierung, um Kondensation zu verhindern.
5. Entnehmen Sie den Luftfilter, geben etwas Wasser in die Ablaufwanne und kontrollieren, dass das Wasser gleichmäßig abfließt.

HINWEIS ZUR ANORDNUNG DES ABLAUSCHLAUCHES

Positionieren Sie den Ablaufschlauch gemäß **Abb. 4.15**.

- ⊘ Knicken Sie den Ablaufschlauch **NICHT**.
- ⊘ Schaffen Sie dabei **KEINE** Wassersperre.
- ⊘ Bringen Sie das Ende des Ablaufschlauches **NICHT** in Wasser oder einen Wassersammelbehälter.

VERSCHLIESSEN DES UNBENUTZTEN ABLAUFLOCHS

Um unerwünscht Lecks zu vermeiden, müssen Sie das nicht verwendete Ablaufloch mit dem mitgelieferten Gummistopfen verschließen.

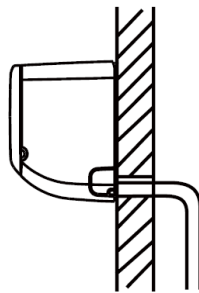


Abb. 4.15

RICHTIG

Achten Sie für guten Ablauf darauf, dass im Ablaufschlauch keine Knicke oder Dellen sind.

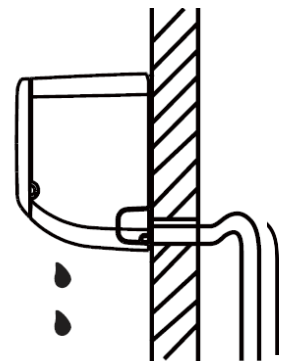


Abb. 4.16

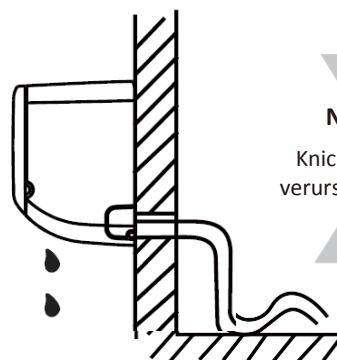


Abb. 4.17

NICHT RICHTIG

Bringen Sie das Ende des Ablaufschlauches nicht in Wasser oder Wassersammelbehälter. Das verhindert einen zuverlässigen Ablauf.

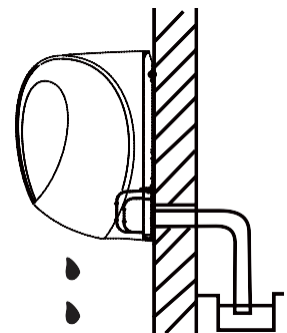


Abb. 4.18

**LESEN SIE DIESE VORSCHRIFTEN, BEVOR SIE ELEKTROARBEITEN AUSFÜHREN**

1. Alle Elektroarbeiten müssen den lokalen und nationalen Schaltungsvorschriften entsprechen und von einem zugelassenen Elektriker ausgeführt werden.
2. Alle elektrischen Anschlüsse müssen gemäß dem Elektrischen Schaltplan erfolgen, der sich an den Seitenwänden der Innen- und Außeneinheit befindet.
3. Falls ein ernstes Sicherheitsproblem mit der Stromversorgung besteht, beenden Sie die Arbeiten sofort. Erklären Sie dem Kunden Ihre Gründe und lehnen die Installation der Anlage ab, bis das Sicherheitsproblem ordnungsgemäß beseitigt ist.
4. Die Versorgungsspannung sollte 90-100% der Nennspannung betragen. Eine unzureichende Stromversorgung kann zu Funktionsfehlern, elektrischem Schlag oder Brand führen.
5. Bei einem fest verkabelten elektrischen Anschluss installieren Sie einen Überspannungsschutz und Hauptschalter mit mindestens der 1,5fachen Leistung des Maximalstroms der Anlage.
6. Bei einem fest verkabelten elektrischen Anschluss muss in der Schaltung ein allpoliger Trennschalter mit einem Kontaktabstand von mindestens 3mm mit eingebaut werden. Der qualifizierte Techniker muss einen zugelassenen Trennschalter verwenden oder.
7. Schließen Sie die Anlage nur an einer Steckdose eines separaten Stromkreises an. Schließen Sie kein weiteres Gerät an dieser Steckdose an.
8. Achten Sie darauf, die Klimaanlage vorschriftsmäßig zu erden.
9. Alle Kabel müssen fest verbunden sein. Lockere Kabel können die Anschlussklemmen überhitzen und so Funktionsfehler der Anlage oder gar zum Brand führen.
10. Lassen Sie die Kabel nicht die Kältemittelleitungen oder irgendwelche beweglichen Teile innerhalb der Einheit berühren.
11. Falls die Anlage eine elektrische Zusatzheizung hat, muss diese mindestens 1 Meter entfernt von alle brennbaren Stoffen installiert werden.

**WARNUNG**

BEVOR SIE IRGENDWELCHE ELEKTROARBEITEN AUSFÜHREN, SCHALTEN SIE DEN HAUPTSCHALTER DES SYSTEMS AUS.

Schritt 6: Signalkabel verbinden

Das Signalkabel sorgt für die Kommunikation zwischen Innen- und Außeneinheit. Zuerst müssen Sie die richtige Kabelgröße wählen und es dann für die Verbindung vorbereiten.

Kabelarten

- **Innen-Netzkabel** (wenn zutreffend): H05VV-F oder H05V2V2-F
- **Außen-Netzkabel:** H07RN-F
- **Signalkabel:** H07RN-F

Mindestquerschnitt der Netz- und Signalkabel

Nordamerika

Betriebsstrom (A)	AWG
≤ 7	18
7 - 13	16
13 - 18	14
18 - 25	12
25 - 30	10

Andere Gebiete

Betriebsstrom (A)	Nennquerschnitt (mm ²)
> 3 and ≤ 6	0.75
> 6 and ≤ 10	1
> 10 and ≤ 16	1.5
> 16 and ≤ 25	2.5
> 25 and ≤ 32	4
> 32 and ≤ 40	6

WÄHLEN SIE DIE RICHTIGE KABELGRÖSSE

Der Maximalstrom der Anlage bestimmt die Größen für Stromversorgungskabel, Signalkabel, Sicherung und nötigen Schalter. Der Maximalstrom ist auf dem Typenschild an der Seitenwand der Anlage angegeben. Wählen Sie Kabel, Sicherung und Schalter richtig nach diesem Typenschild aus.

BEACHTEN SIE DIE SPEZIFIKATIONEN DER SICHERUNG

Die Platine (PCB) der Klimaanlage hat eine Sicherung zum Schutz vor zu hohen Stromstärken. Die Spezifikationen der Sicherung sind auf der Platine aufgedruckt, etwa: T3.15A/250VAC, T5A/250VAC, usw.

1. Bereiten Sie die Kabel für die Verbindung vor:
 - a. Entfernen Sie die Gummihüllen von beiden Signalkabelenden mit einer Abisolierzange und legen dabei etwa 15cm der inneren Kabel frei.
 - b. Ziehen Sie die Isolierung von den Enden der Kabel ab.
 - c. Bringen Sie per Klemmzange u-förmige Klemmösen an den Kabelenden an.

ACHTEN SIE AUF DEN STROMFÜHRENDEN DRAHT

Achten Sie beim Klemmen der Kabel darauf, den stromführenden Live ("L") Draht klar von den anderen zu unterscheiden.

2. Öffnen Sie die Frontblende der Inneneinheit.
3. Öffnen Sie die Abdeckung der Klemmbox rechts in der Einheit mit einem Schraubendreher. Damit wird der Anschlussblock zugänglich.

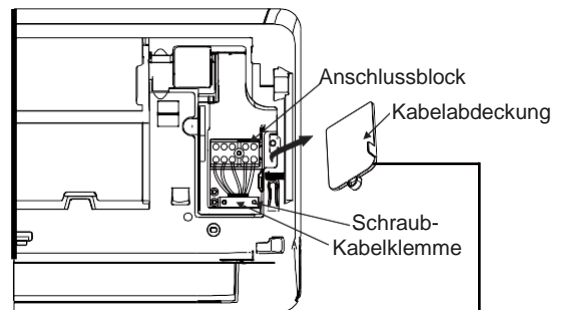


Abb. 4.19

Der Schaltplan befindet sich innen in der Kabelabdeckung der Inneneinheit.

⚠️ WARNUNG

DIE SCHALTUNG MUSS EXAKT NACH DEM SCHALTPLAN INNEN AUF DER KABELABDECKUNG DER INNENEINHEIT ERFOLGEN.

4. Schrauben Sie die Kabelklemme unter dem Anschlussblock ab und legen sie zur Seite.
5. Von der Rückseite der Einheit gesehen entfernen Sie die Kunststoffabdeckung unten links.

6. Führen Sie das Signalkabel durch diesen Schlitz von der Rückseite der Einheit nach vorne.
7. Von der Vorderseite der Einheit gesehen bringen Sie die farbigen Kabel mit den Etiketten am Anschlussblock zusammen, verbinden die u-Öse und schrauben alle Kabel an den entsprechenden Anschlüssen fest.

! VORSICHT

MISCHEN SIE NICHT AKTIVE UND NULLEITER

Das ist gefährlich und kann zu Funktionsfehlern der Klimaanlage führen.

8. Nachdem Sie den festen Sitz aller Verbindungen geprüft haben, befestigen Sie das Signalkabel mit der Kabelklemme an der Einheit. Schrauben Sie die Kabelklemme gut fest.
9. Bringen Sie die Kabelabdeckung vorn und die Kunststoffabdeckung hinten an der Einheit wieder an.

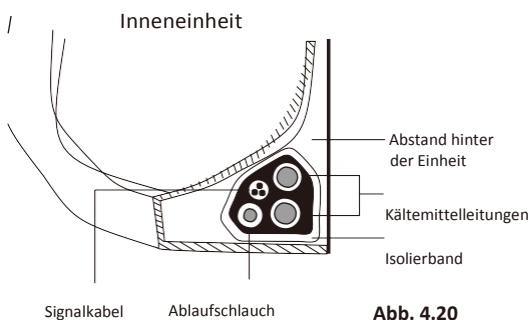
! HINWEIS ZUR VERKABELUNG

DER ANSCHLUSS DER KABEL KANN SICH BEI VERSCHIEDENEN EINHEITEN LEICHT UNTERSCHIEDEN.

Schritt 7: Leitungen und Kabel umwickeln

Bevor Sie Leitungen, Ablaufschlauch und Signalkabel durch die Wandöffnung führen, bündeln Sie diese zusammen, um Platz zu sparen und diese zu schützen und zu isolieren.

1. Bündeln Sie Ablaufschlauch, Kältemittelleitungen und Signalkabel gemäß **Abb. 4.20**.



DER ABLAUFSCHLAUCH MUSS UNTEN SEIN

Achten Sie darauf, dass der Ablaufschlauch unten am Bündel ist. Wenn der Ablaufschlauch oben auf dem Bündel ist, kann die Ablaufwanne überlaufen, was zu Wasserschäden oder einem Brand führen kann.

VERDRILLEN SIE DAS SIGNALKABEL NICHT MIT ANDEREN KABELN

Beim Bündeln dieser Dinge verdrillen oder kreuzen Sie das Signalkabel nicht mit irgendwelchen anderen Kabeln.

2. Befestigen Sie den Ablaufschlauch mit Vinyl-Klebeband an der Unterseite der Kältemittelleitungen.
3. Umwickeln Sie Signalkabel, Kältemittelleitungen und Ablaufschlauch mittels Isolierband straff zueinander. Prüfen Sie nochmal, dass alle Dinge gemäß **Abb. 3.12** gebündelt sind.

UMWICKELN SIE DIE LEITUNGSENDEN NICHT

Beim Umwickeln des Bündels lassen Sie die Leitungsenden frei. Sie müssen am Ende der Installation dort heran können, um auf Leckstellen zu prüfen (siehe den Abschnitt **Elektrische Prüfungen und Leckprüfungen** in diesem Handbuch).

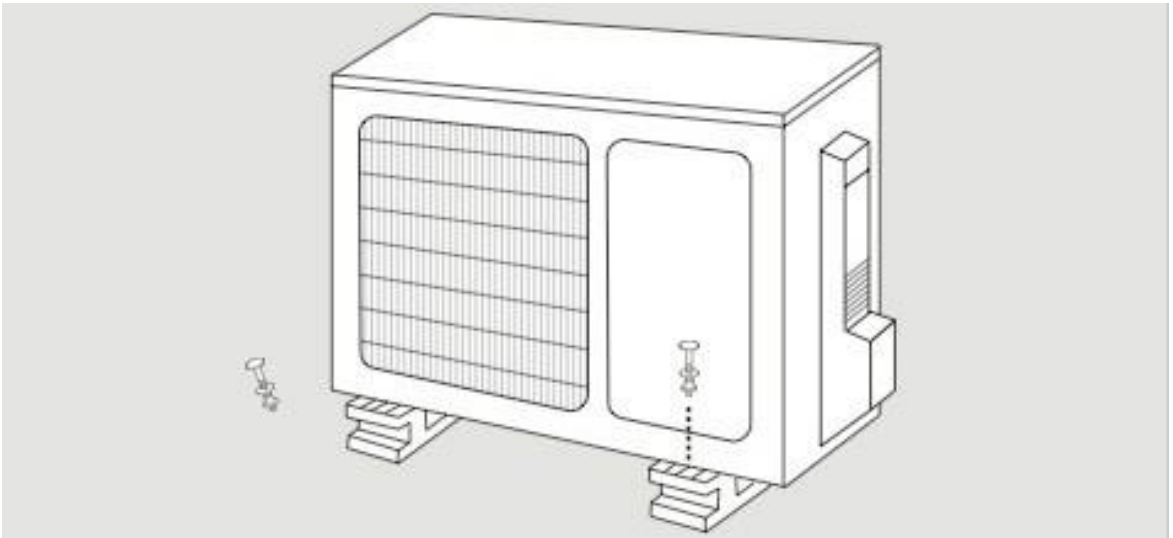
Schritt 8: Inneneinheit montieren

Falls Sie neue Verbindungsleitungen zur Außeneinheit installiert haben, machen Sie folgendes:

1. Wenn Sie die Kältemittelleitungen bereits durch die Wandöffnung geführt haben, machen Sie mit Schritt 4 weiter.
2. Anderenfalls prüfen Sie nochmal, dass die Enden der Kältemittelleitungen verschlossen sind, damit Schmutz und Fremdstoffe nicht in die Leitungen gelangen.
3. Schieben Sie das umwickelte Bündel aus Kältemittelleitungen, Ablaufschlauch und Signalkabel langsam durch die Wandöffnung.
4. Hängen Sie die Oberseite der Inneneinheit an den oberen Haken der Montageplatte.
5. Prüfen Sie, dass die Einheit fest eingehangen ist, indem Sie leicht auf die linke und rechte Seite drücken. Die Einheit sollte nicht wackeln oder verrutschen.
6. Drücken Sie die untere Hälfte der Einheit gleichmäßig herunter. Drücken Sie weiter nach unten, bis die Einheit in die Haken entlang der Unterseite der Montageplatte einrastet.
7. Prüfen Sie nochmal, dass die Einheit fest montiert ist, indem Sie links und rechts an der Einheit leichten Druck ausüben.

Installation der Außeneinheit

5



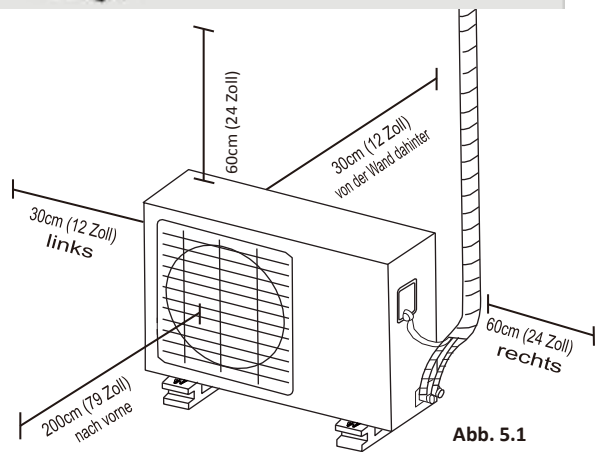
Installationsanweisungen – Außeneinheit

Schritt 1: Auswahl des Installationsortes

Vor der Installation der Außeneinheit müssen Sie einen geeigneten Montageort wählen. Folgende Standards helfen Ihnen bei der Auswahl des geeigneten Montageortes für die Anlage.

Geeignete Installationsorte müssen folgende Standards erfüllen:

- erfüllt alle Platzanforderungen wie gezeigt in den Installationsplatzanforderungen (**Abb. 5.1**)
- Gute Luftzirkulation und Belüftung
- Fest und stabil—der Untergrund kann die Einheit tragen und vibriert nicht
- Geräusche von der Anlage stören keinen anderen Leute
- ist geschützt vor längerer direkter Sonneneinstrahlung und vor Regen



Installieren Sie die Anlage **NICHT** an folgenden Orten:

- nahe bei einem Hindernis, das Lufteinlass oder Luftauslass versperrt
- nahe einer öffentlichen Straße, belebten Gebieten oder da, wo Geräusche von der Anlage andere stören können
- nahe bei Tieren oder Pflanzen, die durch ausströmende heiße Luft Schaden nehmen können
- nahe bei Quellen von brennbaren Gasen
- an einem Ort, der großen Staubmengen ausgesetzt ist
- an einem Ort, der übermäßig stark salzhaltiger Luft ausgesetzt ist

BESONDERE BETRACHTUNGEN FÜR EXTREME WETTERSITUATIONEN

Falls die Einheit starkem Wind ausgesetzt ist:

Montieren Sie die Einheit so, dass sich der Luftauslasslüfter im Winkel von 90° zur Windrichtung befindet. Bauen Sie bei Bedarf eine Abschirmung vor der Einheit, um diese vor extrem starken Winden zu schützen.

Siehe **Abb. 5.2** und **Abb. 5.3** unten.

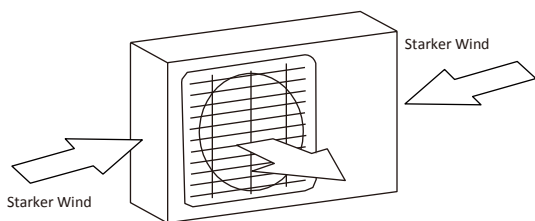


Abb. 5.2

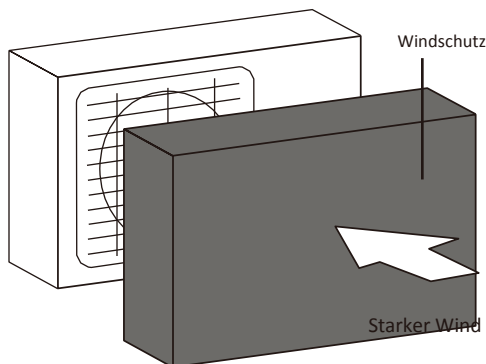


Abb. 5.3

Falls die Einheit häufig starkem Regen oder Schneefall ausgesetzt ist:

Bauen Sie ein Schutzdach über der Einheit, um sie vor Regen und Schnee zu schützen. Achten Sie aber darauf, den Luftstrom rund um die Einheit nicht zu behindern.

Falls die Einheit häufig Salzlufte ausgesetzt ist (Küstennähe):

Verwenden Sie eine Außeneinheit, die besonders korrosionsfest konstruiert ist.

Schritt 2: Ablaufanschluss installieren

Wärmepumpenmodelle benötigen einen Ablaufanschluss. Bevor Sie die Außeneinheit anschrauben, müssen Sie den Ablaufanschluss am Boden der Einheit montieren. Beachten Sie, dass es zwei unterschiedliche Arten der Ablaufanschlüsse je nach Typ der Außeneinheit gibt.

Falls der Ablaufanschluss mit einer Gummidichtung versehen ist (siehe Abb. 4.4 - A), machen Sie folgendes:

1. Passen Sie die Gummidichtung auf das Ende des Ablaufanschlusses für die Verbindung zur Außeneinheit an.
2. Setzen Sie den Ablaufanschluss in die Öffnung der Bodenwanne der Einheit ein.
3. Drehen Sie den Ablaufanschluss um 90° bis er einrastet und zur Vorderseite der Einheit gerichtet ist.
4. Schließen Sie eine Verlängerung des Ablaufschlauches (nicht mitgeliefert) am Ablaufanschluss an, um Wasser von der Einheit im Heizbetrieb umzuleiten.

Falls der Ablaufanschluss ohne Gummidichtung ist (siehe Abb. 4 - B), machen Sie folgendes:

1. Setzen Sie den Ablaufanschluss in die Öffnung der Bodenwanne der Einheit ein. Der Ablaufanschluss rastet vor Ort ein.
2. Schließen Sie eine Verlängerung des Ablaufschlauches (nicht mitgeliefert) am Ablaufanschluss an, um Wasser von der Einheit im Heizbetrieb umzuleiten.

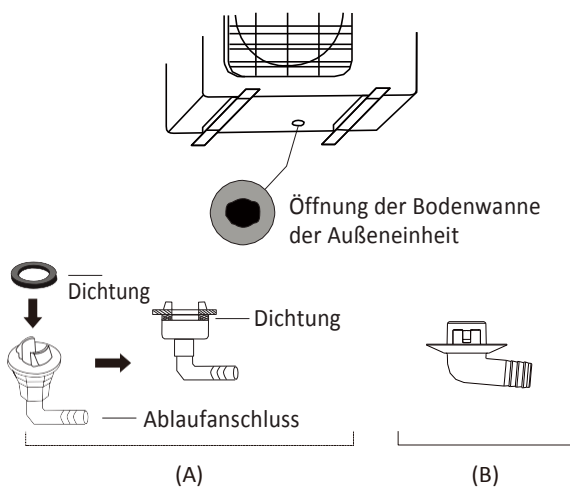


Abb. 5.4



IN KALTEN KLIMAREGIONEN

Achten Sie in kalten Regionen darauf, dass der Ablaufschlauch so steil wie möglich ist, um einen schnellen Wasserablauf zu gewährleisten. Falls das Wasser zu langsam abläuft, kann es im Schlauch gefrieren und die Einheit überfluten.

Schritt 3: Außeneinheit verankern

Die Außeneinheit kann am Boden oder an einer Wandhalterung verankert werden.

MONTAGEMAßE DER EINHEIT

Folgende Liste zeigt die Maße verschiedener Außeneinheiten sowie den Abstand zwischen ihren Montagefüßen. Bereiten Sie die Installationsbasis der Einheit gemäß nachstehender Abmessungen vor.

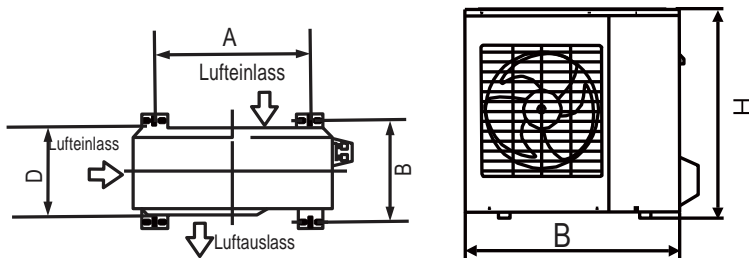


Abb. 5.5

Abmessungen der Außeneinheit (mm) BxHxT	Montage Abmessungen	
	Abstand A (mm)	Abstand B (mm)
681x434x285 (26.8" x17" x11.2")	460 (18.10")	292 (11.49")
700x550x270 (27.5" x21.6" x10.62")	450 (17.7")	260 (10.24")
700x550x275 (27.5" x21.6" x10.82")	450 (17.7")	260 (10.24")
770x555x300 (30.3" x21.85" x11.81")	487 (19.2")	298 (11.73")
800x554x333 (31.5" x21.8" x13.1")	514 (20.24")	340 (13.39")
845x702x363 (33.25" x27.63" x14.29")	540 (21.26")	350 (13.8")
946x810x420 (37.21" x31.9" x16.53")	673 (26.5")	403 (15.87")
946x810x410 (37.2" x31.9" x16.14")	673 (26.5")	403 (15.87")

Wenn Sie die Einheit auf dem Boden oder auf einer Betonplattform installieren wollen, machen Sie folgendes:

1. Markieren Sie die Positionen für vier Sprezhülsenanker anhand der Abmessungen in der Übersicht der Montageabmessungen.
2. Bohren Sie die Löcher für die Sprezhülsenanker vor.
3. Entfernen Sie den Betonstaub von den Löchern.
4. Bringen Sie eine Mutter auf das Ende jedes Sprezhülsenankers.
5. Schlagen Sie die Sprezhülsenanker in die vorgebohrten Löcher.

6. Entfernen Sie die Muttern von den Sprezhülsenankern und setzen die Außeneinheit auf die Schrauben.
7. Bringen Sie eine Unterlegscheibe auf alle Sprezhülsenanker und schrauben die Muttern wieder auf.
8. Ziehen Sie alle Muttern mit einem Schraubenschlüssel festsitzend an.

! WARNUNG

BEIM BOHREN IN BETON IST EIN STÄNDIGER AUGENSCHUTZ EMPFOHLEN.

Wenn Sie die Einheit auf eine Wandhalterung montieren wollen, machen Sie folgendes:

VORSICHT

Prüfen Sie vor der Wandmontage einer Einheit, dass die Wand aus Mauerstein, Beton oder ähnlich stabilem Material besteht. **Die Wand muss mindestens das Vierfache des Gewichts der Einheit tragen können.**

1. Markieren Sie die Positionen für die Halterungsbohrungen anhand der Abmessungen in der Übersicht der Montageabmessungen.
2. Bohren Sie die Löcher für die Sprezhülsenanker vor.
3. Entfernen Sie Staub und Bruchstücke von den Bohrlöchern.
4. Bringen Sie eine Unterlegscheibe und Mutter auf das Ende jedes Sprezhülsenankers.
5. Fädeln Sie die Sprezhülsenanker durch die Löcher in der Montagehalterung, bringen die Montagehalterung an die richtige Position und schlagen die Sprezhülsenanker in die Wand.
6. Prüfen Sie, dass die Montagehalterung waagrecht sitzt.
7. Heben Sie die Einheit vorsichtig hoch und stellen ihre Montagefüße auf die Halterung.
8. Schrauben Sie die Einheit fest auf der Halterung an.

ZUR VERRINGERUNG VON SCHWINGUNGEN BEI WANDMONTIERTEN EINHEITEN

Falls es zulässig ist, können Sie die Einheit mit Gummidämpfern zur Verringerung von Geräuschen und Schwingungen an der Wand montieren.

Schritt 4: Strom- und Signalkabel verbinden

Der Anschlussblock der Außeneinheit ist auf der Seite der Einheit mit einer Kabelabdeckung geschützt. Ein ausführlicher Schaltplan ist auf der Innenseite der Kabelabdeckung gedruckt.

VOR DER AUSFÜHRUNG VON ELEKTROARBEITEN LESEN SIE BITTE DIESE VORSCHRIFTEN

1. Alle Elektroarbeiten müssen den lokalen und nationalen Schaltungsvorschriften entsprechen und von einem zugelassenen Elektriker ausgeführt werden.
2. Alle elektrischen Anschlüsse müssen gemäß dem Elektrischen Schaltplan erfolgen, der sich an den Seitenwänden der Innen- und Außeneinheit befindet.
3. Falls ein ernstes Sicherheitsproblem mit der Stromversorgung besteht, beenden Sie die Arbeiten sofort. Erklären Sie dem Kunden Ihre Gründe und lehnen die Installation der Anlage ab, bis das Sicherheitsproblem ordnungsgemäß beseitigt ist.
4. Die Versorgungsspannung sollte 90-100% der Nennspannung betragen. Eine unzureichende Stromversorgung kann zum elektrischem Schlag oder Brand führen.
5. Bei einem fest verkabelten elektrischen Anschluss installieren Sie einen Überspannungsschutz und Hauptschalter mit mindestens der 1,5fachen Leistung des Maximalstroms der Anlage.
6. Bei einem fest verkabelten elektrischen Anschluss muss in der Schaltung ein allpoliger Trennschalter mit einem Kontaktabstand von mindestens 3mm mit eingebaut werden. Der qualifizierte Techniker muss einen zugelassenen Trennschalter oder Schalter verwenden.
7. Schließen Sie die Anlage nur an einer Steckdose eines separaten Stromkreises an. Schließen Sie kein weiteres Gerät an dieser Steckdose an.
8. Achten Sie darauf, die Klimaanlage vorschriftsmäßig zu erden.
9. Alle Kabel müssen fest verbunden sein. Lockere Kabel können die Anschlussklemmen überhitzen und so Funktionsfehler der Anlage oder gar zum Brand führen.
10. Lassen Sie die Kabel **nicht** die Kältemittelleitungen oder irgendwelche beweglichen Teile innerhalb der Einheit berühren.
11. Falls die Anlage eine elektrische Zusatzheizung hat, muss diese mindestens 1 Meter entfernt von alle brennbaren Stoffen installiert werden.

WARNUNG

BEVOR SIE IRGENDWELCHE ELEKTROARBEITEN AUSFÜHREN, SCHALTEN SIE DEN HAUPTSCHALTER DES SYSTEMS AUS.

1. Bereiten Sie die Kabel für die Verbindung vor:

VERWENDEN SIE DIE RICHTIGEN KABEL

- Innen-Netzkabel (wenn zutreffend): H05VV-F oder H05V2V2-F
- Außen-Netzkabel: H07RN-F
- Signalkabel: H07RN-F

Mindestquerschnitt der Netz- und Signalkabel

Nordamerika

Betriebsstrom (A)	AWG
≤ 7	18
7 - 13	16
13 - 18	14
18 - 25	12
25 - 30	10

Andere Gebiete

Betriebsstrom (A)	AWG
> 3 and ≤ 6	0.75
> 6 and ≤ 10	1
> 10 and ≤ 16	1.5
> 16 and ≤ 25	2.5
> 25 and ≤ 32	4
> 32 and ≤ 40	6

- Entfernen Sie die Gummihüllen von beiden Enden des Kabels mit einer Abisolierzange und legen dabei etwa 15cm der inneren Kabel frei.
- Ziehen Sie die Isolierung von den Enden der Kabel ab.
- Bringen Sie per Klemmzange u-Klemmösen an den Kabelenden an.

ACHTEN SIE AUF DEN STROMFÜHRENDEN DRAHT

Achten Sie beim Klemmen darauf, den stromführenden Live ("L") Draht klar von den anderen zu unterscheiden.

WARNUNG

DIE SCHALTUNG MUSS EXAKT NACH DEM SCHALTPLAN INNEN AUF DER KABELABDECKUNG DER AUSSENEINHEIT ERFOLGEN.

- Schrauben Sie die Kabelabdeckung ab und entfernen sie.
- Schrauben Sie die Kabelklemme unter dem Anschlussblock ab und legen sie zur Seite.
- Ordnen Sie die Kabelfarben/Markierungen zu den Angaben am Anschlussblock und schrauben die u-Ösen jedes Kabels gut an der entsprechenden Anschlussklemme fest.
- Nachdem Sie den festen Sitz aller Verbindungen kontrolliert haben, schlingen Sie die Kabel herum, so dass kein Regenwasser in den Anschlussblock laufen kann.
- Befestigen Sie die Kabel mit der Kabelklemme an der Einheit. Schrauben Sie die Kabelklemme gut fest.
- Isolieren Sie unbenutzte Kabelenden mit PVC-Elektroband. Arrangieren Sie sie so, dass sie keine anderen elektrischen oder Metallteile berühren können.
- Setzen Sie die Kabelabdeckung an der Seite der Einheit wieder auf und schrauben sie fest.

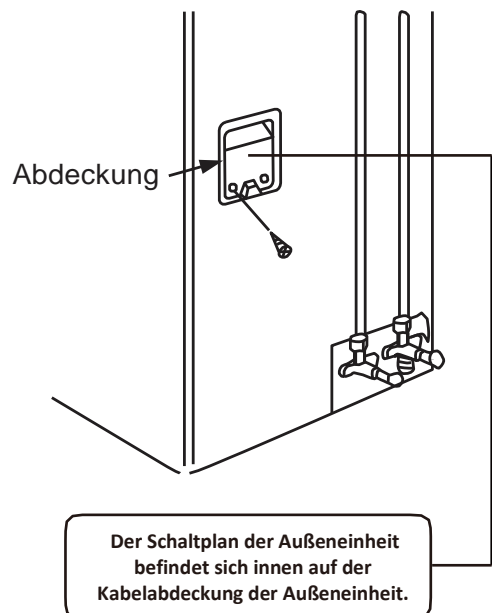


Abb. 5.6

Kältemittelleitungen verbinden

Kältemittelleitung mit dem Außengerät verbinden

ACHTUNG: Zu Ihrer eigenen Sicherheit tragen Sie jederzeit Schutzhandschuhe und eine Schutzbrille.

1. Die Abdeckung wie in Abb. 6.1 gezeigt entfernen.

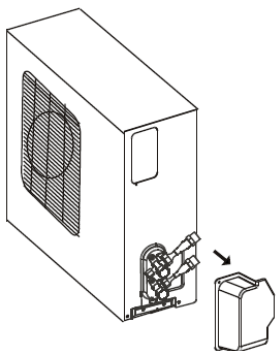


Abb. 6.1

2. Die Schutzkappen am Gerät und an der Leitung erst unmittelbar vor dem Herstellen der Verbindung entfernen.

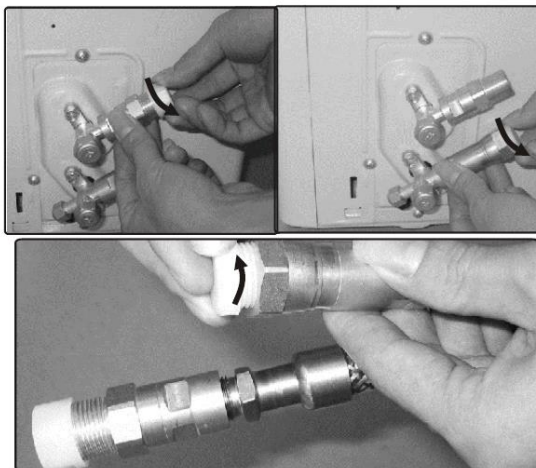


Abb. 6.2.

3. Setzen Sie die ordentlich ausgerollte Leitung mit der Quick-Verschraubungen an den Anschluss am Außengerät gerade ausgerichtet an. Stellen Sie sicher dass die Leitung ohne Spannung/Zug ist. Ziehen Sie die ersten Umdrehungen per Hand an. Siehe Abb. 6.3.

HINWEIS: Die Kältemittelleitung am Außengerät sollte so spannungsfrei wie möglich montiert werden.

WICHTIG: Lesen Sie diese Anleitung sorgfältig durch bevor Sie mit der Installation fortfahren.

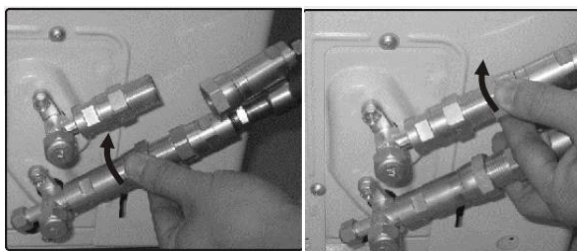


Abb. 6.3

4. Schließen Sie nun zuerst die untere und dann die obere Kältemittelleitung am Außengerät an. Die Rohrleitung mit dem Rollgabelschlüssel an Markierung '1' festhalten, die Überwurfmutter nur an der mit '2' markierten Stelle drehen (Größe der Rollgabelschlüssel entsprechend den Dimensionen der Verschraubungen auswählen). Siehe Abb. 6.4

- Stellen Sie sicher, dass die Verschraubungen beim Andrehen nicht schräg sitzen und arbeiten Sie zügig. Beachten Sie die Drehmomentangaben auf der folgenden Seite. **WICHTIG:** Die Quick-Anschlüsse sind für einmalige Montage gedacht. Bei der mehrmaligen Montage kann keine Dichtheit garantiert werden.

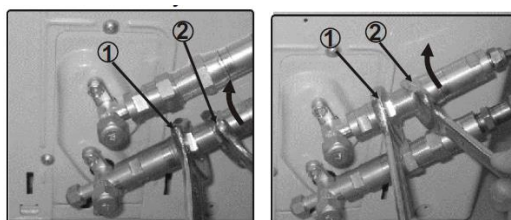


Abb.6.4

Rohrleistungs- durchmesser (mm)	Newtonmeter (Nm)
9,5	24-27
12,7	40-47
19,1	61-67
25,4	81-88

Nachdem die Schritte 1-4 durchgeführt wurden und alle Anschlüsse verbunden wurden überprüfen Sie die Dichtheit mit Hilfe von Lecksuchspray oder alternativ Seifenwasser. Bei Blasenbildung ist der Anschluss undicht, ziehen Sie den Quickanschluss mit dem Rollgabelschlüssel nach.

5. Entfernen Sie die seitliche Abdeckkappe vom oberen Ventil mit Hilfe des Rollgabelschlüssels. Öffnen Sie das Ventil indem Sie die Innensechskantschraube mit dem 5mm Innensechskantschlüssel bis zum Anschlag gegen den Uhrzeigersinn drehen. Wenn das Ventil nicht komplett geöffnet wird kann es zu Störungen oder Schäden der Anlage führen. Montieren Sie wieder die Abdeckkappe und ziehen sie fest um sicher zu gehen das sie gut abdichtet. Siehe Abb. 6.5

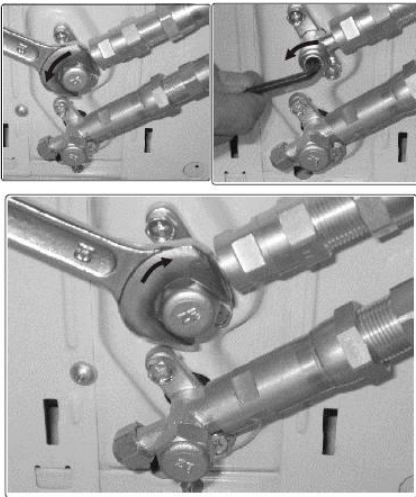


Abb. 6.5

5. Entfernen Sie die seitliche Abdeckkappe vom unteren Ventil mit Hilfe des Rollgabelschlüssels. Öffnen Sie das Ventil indem

6. Sie die Innensechskantschraube mit dem 5mm Innensechskantschlüssel bis zum Anschlag gegen den Uhrzeigersinn drehen. Wenn das Ventil nicht komplett geöffnet wird kann es zu Störungen oder Schäden der Anlage führen. Montieren Sie wieder die Abdeckkappe und ziehen sie fest um sicher zu gehen das sie gut abdichtet. Siehe Abb. 6.6

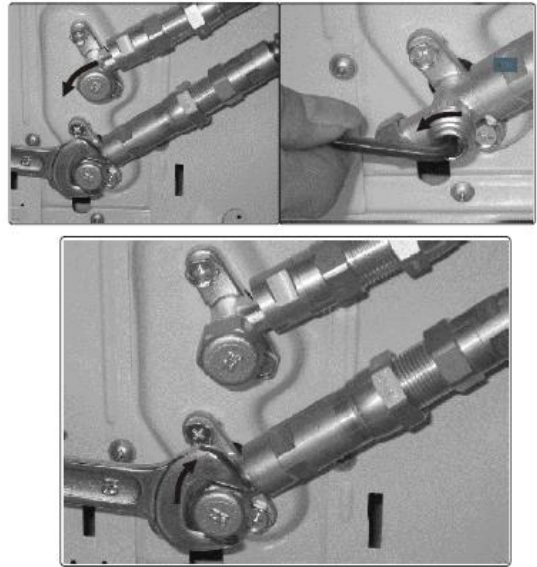


Abb. 6.6

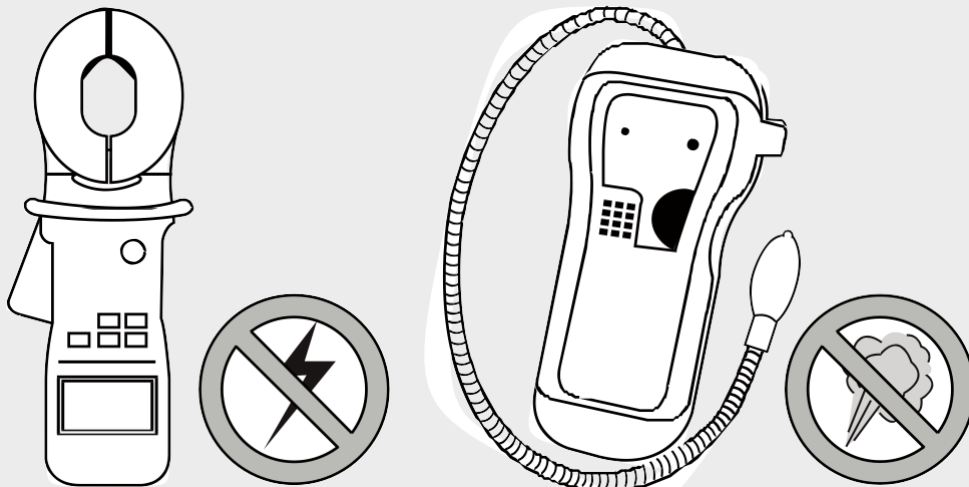
Wichtig: Der konische Ring am Ende des Ventiles hat in Verbindung mit der Abdeckkappe eine Dichtfunktion. Stellen Sie sicher, dass der Konus nicht beschädigt und die Abdeckkappe frei von Verunreinigungen ist.

Nachdem die Schritte 1-6 durchgeführt wurden und alle Anschlüsse verbunden wurden überprüfen Sie die Dichtheit mit Hilfe von Lecksuchspray oder alternativ Seifenwasser. Bei Blasenbildung ist der Anschluss undicht, ziehen Sie den Quickanschluss mit dem Rollgabelschlüssel nach.

Schalten Sie die Anlage ein und überprüfen Sie die Dichtheit erneut

- a) im Kühlbetrieb
- b) im Heizbetrieb

Bei Blasenbildung ist der Anschluss undicht, ziehen Sie den Quickanschluss mit dem Rollgabelschlüssel nach.



Elektrosicherheitsprüfungen

Nach der Installation kontrollieren Sie, dass alle elektrischen Anschlüsse gemäß den lokalen und nationalen Schaltungsvorschriften sowie entsprechend diesem Installationshandbuch erfolgt sind.

VOR DEM TESTLAUF

Prüfen Sie die Erdung

Messen Sie den Erdungswiderstand durch Sichtprüfung und mit einem Prüfer für den Erdungswiderstand. Der Erdungswiderstand muss kleiner als 4 sein.

Hinweis: An manchen Orten in den USA kann das nicht erforderlich sein.

BEIM TESTLAUF

Prüfung auf elektrischen Kriechstrom

Verwenden Sie beim **Testlauf** einen Elektro-Prüfer und ein Multimeter und führen einen umfassenden Test auf Kriechstrom aus.

Falls ein Kriechstrom erkannt wird, schalten Sie die Anlage sofort aus und rufen einen autorisierten Elektriker, um die Ursache des Kriechstroms zu suchen und zu beseitigen.

Hinweis: An manchen Orten in den USA kann das nicht erforderlich sein.

! WARNING – GEFAHR DES ELEKTRISCHEN SCHLAGS

ALLE ELEKTROARBEITEN MÜSSEN DEN LOKALEN UND NATIONALEN SCHALTUNGSVORSCHRIFTEN ENTSPRECHEN UND VON EINEM ZUGELASSENEN ELEKTRIKER AUSGEFÜHRT WERDEN.

Gasdichtheitsprüfung

Es gibt zwei verschiedene Methoden für die Gasdichtheitsprüfung.

Seifenwassermethode

Bringen Sie auf alle Verbindungsstellen der Rohrleitungen an der Innen- und Außeneinheit mit einem weichen Pinsel Seifenwasser oder flüssiges Spülmittel auf. Falls Blasen auftreten, deutet das auf eine Undichtheit hin.

Methode mit einem Leck-Detektor

Bei der Verwendung eines Leck-Detektors beachten Sie die Bedienungsanleitung des Gerätes für den richtigen Einsatz.

NACH DURCHFÜHRUNG DER GASDICHTHEITSPRÜFUNG

Nachdem Sie bestätigt haben, dass alle Rohrverbindungsstellen **DICHT** sind, bringen Sie die Ventilabdeckung an der Außeneinheit wieder an.

Testlauf

8

Vor dem Testlauf

Führen Sie den Testlauf erst aus, wenn Sie folgende Schritte abgeschlossen haben:

- **Elektrosicherheitsprüfungen** – Bestätigen Sie, dass die elektrische Installation der Anlage sicher ist und richtig funktioniert
- **Gasdichtheitsprüfungen** – Prüfen Sie alle Verbindungen mit Bördelmuttern und bestätigen, dass das System dicht ist
- Bestätigen Sie, dass die Gas- und Flüssigkeitsventile (Hoch- und Niederdruck) vollständig geöffnet sind

Anweisungen für den Testlauf

Der **Testlauf** sollte mindestens 30 Minuten dauern.

1. Verbinden Sie die Anlage mit der Stromversorgung.
2. Drücken Sie zum Einschalten die Taste **EIN/AUS** auf der Fernbedienung.
3. Drücken Sie die Taste **MODE**, um einzeln durch die folgenden Funktionen zu blättern:
 - **KÜHLEN** – wählen Sie die geringstmögliche Temperatur
 - **HEIZEN** – wählen Sie die höchstmögliche Temperatur
4. Lassen Sie jede Funktion 5 Minuten lang laufen und führen folgenden Kontrollen durch:

Kein Kriechstrom		
Einheit ist vorschriftsmäßig geerdet		
Alle elektrischen Anschlüsse sind ordnungsgemäß abgedeckt		
Innen- und Außeneinheit sind stabil montiert		
Alle Rohrleitungsverbindungen sind dicht	Außen (2):	Innen (2):
Wasser läuft richtig aus dem Ablaufschlauch		
Alle Leitungen sind richtig isoliert		
Die Anlage führt das KÜHLEN richtig aus		
Die Anlage führt das HEIZEN richtig aus		
Das Lüftungsgitter der Inneneinheit dreht sich richtig		
Die Inneneinheit reagiert auf die Fernbedienung		

PRÜFEN SIE NOCHMAL DIE LEITUNGSVERBINDUNGEN

Im Betrieb steigt der Druck im Kältemittelkreislauf. Dabei könnten Undichtheiten auftreten, die bei der anfänglichen Dichtheitsprüfung noch nicht vorhanden waren. Nehmen Sie sich im Testlauf die Zeit und kontrollieren nochmal, dass alle Verbindungsstellen der Kältemittelleitungen dicht sind. Siehe den Abschnitt **Gasdichtheitsprüfungen** für Anweisungen dazu.

5. Wenn Sie nach erfolgreichem Testlauf bestätigt haben, dass alle Prüfpunkte der Liste auszuführender Prüfungen **BESTANDEN** sind, machen Sie folgendes:
 - a. Stellen Sie die Anlage per Fernbedienung wieder auf normale Betriebstemperatur.
 - b. Umwickeln Sie die bei der Installation der Inneneinheit offen gebliebenen Verbindungen der Kältemittelleitungen mit Isolierband.

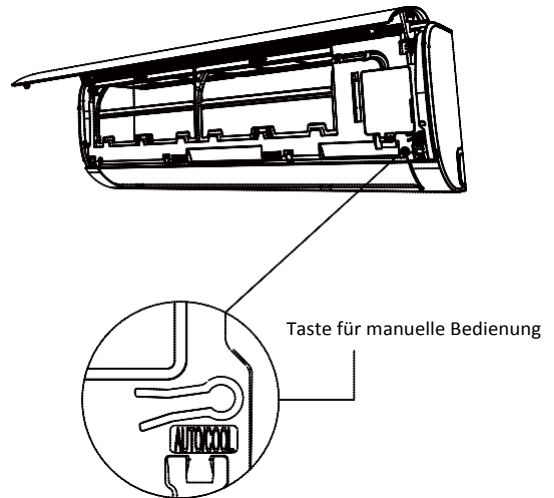


Abb. 8.1

FALLS DIE UMGEBUNGSTEMPERATUR UNTER 17°C (63°F) LIEGT

Sie können die Funktion **KÜHLEN** nicht per Fernbedienung einschalten, wenn die Umgebungstemperatur unter 17°C liegt. In diesem Fall können Sie die Taste **MANUELLE STEUERUNG** nutzen, um die Funktion **KÜHLEN** zu testen.

1. Heben Sie die Frontblende der Inneneinheit an bis sie einrastet.
2. Die Taste **MANUELLE STEUERUNG** befindet sich rechts an der Einheit. Zur Auswahl der Funktion **KÜHLEN** drücken Sie sie zweimal. Siehe **Abb 8.1**.
3. Führen Sie den Testlauf normal durch.

Europäische Richtlinien zur Entsorgung

9

Dieses Gerät enthält Kältemittel und andere möglicherweise gefährliche Stoffe. Für die Entsorgung dieses Gerätes erfordert das Gesetz eine spezielle Sammlung und Aufarbeitung. Entsorgen Sie dieses Produkt **nicht** als allgemeinen Hausmüll oder kommunalen Müll.

Für die Entsorgung dieses Gerätes haben Sie folgende Möglichkeiten:

- Entsorgen Sie das Gerät bei einer zuständigen kommunalen Sammelstelle für Elektronikschrott.
- Beim Kauf eines neuen Gerätes nimmt der Händler das Altgerät kostenlos zurück.
- Der Hersteller nimmt das Altgerät kostenlos zurück.
- Verkaufen Sie das Altgerät an zertifizierte Schrotthändler.

Besonderer Hinweis

Die Entsorgung dieses Gerätes im Wald oder sonst in der Landschaft gefährdet Ihre Gesundheit und ist nachteilig für die Umwelt. Gefährliche Stoffe können austreten, in das Grundwasser und somit in die Nahrungskette gelangen.



Midea Europe GmbH
Eisenstrasse 9c
65428 Rüsselsheim
Germany
Service Hotline +49 6142 301810
info@mideagermany.de
www.mideagermany.de

**Konstruktion und Spezifikationen können zur Produktverbesserung ohne vorherige
Ankündigung geändert werden. Zu Details fragen Sie den Verkaufsvertreter oder Hersteller.**
