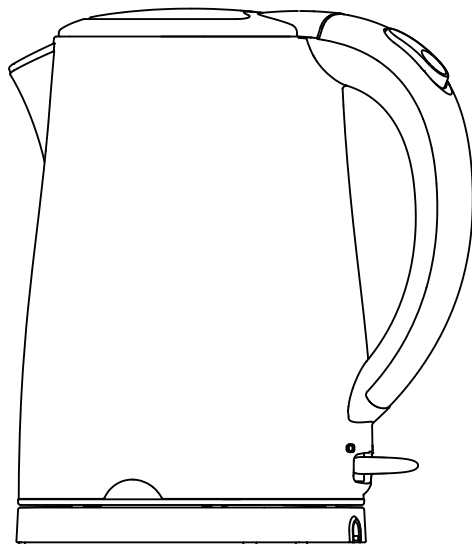


***Comfee***



# **Instruction Manual**

**Model: MK-HJ1705A1**



Please read the instructions carefully before use the machine  
Please properly retention of the instructions for your future reference

# IMPORTANT SAFETY INSTRUCTIONS



## Warning

To avoid the risk of serious injury when using your kettle, basic safety precautions should be followed, including the following.

## IMPORTANT SAFEGUARDS

When using electrical appliances, basic safety precautions should always be followed, including the following:

1. Read all instructions.
2. DO NOT touch hot surfaces. Use handles or knobs.
3. To protect against fire, electric shock and injury to persons, DO NOT immerse cord, plugs, base or kettle in water or other liquid.
4. Never leave the appliance unattended when in use. Close supervision is necessary when any appliance is used by or near children.
5. Unplug from outlet when not in use, before filling, moving kettle and cleaning. Allow to cool before putting on or taking off parts, and before cleaning the appliance.
6. DO NOT operate any appliance with a damaged cord or plug or after the appliance malfunctions, or has been damaged in any manner. Call our toll-free Customer Assistance Number for examination, repair or adjustment.
7. DO NOT use a base unit other than the one supplied. The use of accessory attachments not recommended by the appliance manufacturer may result in fire, electric shock or injury to persons.
8. DO NOT use outdoors.
9. DO NOT let cord hang over edge of table or counter, or touch hot surfaces.
10. Electric kettle must be operated on a flat surface. DO NOT place on or near a hot gas or electric burner, or in a heated oven, or on the top of other electric appliances.
11. To disconnect, turn control to off, then remove plug from wall outlet.
12. DO NOT use appliance for other than intended use.

13. To avoid circuit overload, DO NOT operate another high wattage appliance on the same circuit.
14. DO NOT fill kettle when positioned on base. Dry the water on the bottom of the body before placing it onto power base.
15. Be aware of steam being emitted from spout or lid especially during refilling. DO NOT remove lid during boiling cycle.
16. DO NOT use the kettle to heat anything other than water. DO NOT fill above the “max” indication. DO NOT operate kettle if water is below minimum. If the kettle is overfilled, boiling water may be ejected. The kettle is only to be used with the base provided.
17. DO NOT insert any object into slots or holes of the kettle.
18. Scalding may occur if the lid is removed during the brewing cycles.
19. DO NOT immerse into water.

## **SAVE THESE INSTRUCTIONS**

### **THIS APPLIANCE IS INTENDED FOR HOUSEHOLD USE ONLY**

To reduce the risk of injury, DO NOT drape cord over the countertop or tabletop where it can be pulled on by children or tripped over unintentionally.

**CAUTION:** – This appliance has a polarized plug (one blade is wider than the other). To reduce the risk of electric shock, this plug is intended to fit into a polarized outlet only one way. If the plug does not fit fully into the outlet, reverse the plug. If it still does not fit, contact a qualified electrician. DO NOT attempt to modify the plug in any way. To ensure continued protection against risk of electric shock, connect to properly grounded outlets only.

#### **Notes On The Card:**

- a) A short power-supply cord (or detachable power-supply cord) is to be provided to reduce the risk resulting from becoming entangled in or tripping over a longer cord.
- b) Longer detachable power-supply cords or extension cords are available and may be used if care is exercised in their use.
- c) If a long detachable power-supply cord or extension cord is used,
  - 1) The marked electrical rating of the detachable power-supply cord or extension cord should be at least as great as the electrical rating of the appliance.
  - 2) If the appliance is of the grounded type, the extension cord should be a grounding-type 3-wire cord.

- 3) The longer cord should be arranged so that it will not drape over the countertop or tabletop where it can be pulled on by children or tripped over.

## Recycling

The appliance must not be disposed of with household waste, but taken to an authorised waste separation and recycling centre.



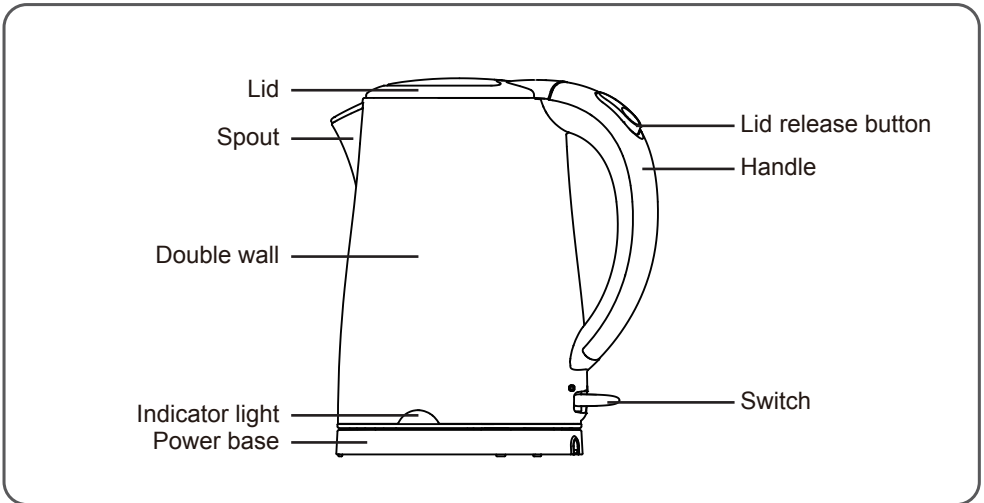
## Brief introduction

### rational design

### bring convenience and enjoyment to your life

- Double Wall Electric Kettle: Hot inside and Cool outside
- Super Quiet Operation Noise
- Premium #304 Food Grade stainless steel
- 201 Series BPA free Materials
- Cool Touch Handle and Pop Up Lid
- One Touch Switch Operation
- Soft Indicator Light
- Cordless with 360-Degree Swivel Base
- 1500W Faster and Powerful
- Boil Dry and Auto Shut-Off Protection
- 1.7 Liter Large Capacity

## Parts & features



## How to use

**For the first time to use or no use for a long time, it is recommended that you fill to the maximum level mark with fresh tap water, boil and empty the kettle at least 2 times to clear kettle of any tiny particles. DO NOT drink such water.**

1. Press the lid lock on the handle, and you can open it.
2. Remove the kettle from the base to the filling place. Fill the kettle with desired amount (DO NOT less than the minimum line and DO NOT more than the maximum line.)  
Put back the lid; place the kettle back on the base unit.
3. Connect the plug into a power outlet (120V, AC), switch the kettle on by pressing the switch. The light will illuminate to indicate the kettle is heating.
4. The kettle will automatically switch off once the watch has boiled or kettle doesn't contain the minimum amount of water required and the neon light goes off.
5. Lift the kettle from the base, and you can pour out the water into container.
6. If the Appliance is damaged, it must be replaced by a special cord or assembly available from the manufacturer or its service agent.

## Cleaning

- ▶ **To prolong the kettle's life, please clean the mineral deposits in the kettle regularly.**
- ▶ **Always unplug from the plug socket and allow to cool down before cleaning.**
- ▶ **DO NOT use chemical, steel wool, or abrasive cleaners to clean the outside of the kettle, as these will scratch the surface and fade the outside color.**

1. Fill the kettle with 0.5L white vinegar and the remainder with water and allow to stand for over 1 hours;
2. Empty the solution from the kettle. Wipe off the residual material with damp cloth;
3. Fill the kettle with purified water, pour the water after boiled. You can repeat the operation, the kettle will be ready to be used;
4. If necessary, repeat the operations above for several times;
5. DO NOT immerse into water. The surface of the kettle may be wiped over with a damp cloth and polished with a soft dry cloth.

## 1 Year Limited Warranty

This is the only express warranty for this product and is in lieu of any other warranty or condition.

This product is warranted to be free from defects in material and workmanship for a period of one (1) year from the date of original purchase. During this period, your exclusive remedy is repair or replacement of this product or any component found to be defective, at our option; however, you are responsible for all costs associated with returning the product to us and our returning the product or component under this warranty to you. If the product or component is no longer available, we will replace with a similar one of equal or greater value.

This warranty does not cover wear from normal use, and operation doesn't conform with the instruction manuals, or damages to the product resulting from accident, alteration, abuse, or misuse. This warranty extends only to the original consumer purchaser or gift recipient. Keep the original sales receipt, as proof of purchase is required to make a warranty claim. This warranty is void if product is used for other than single-family household use or subjected to any voltage and waveform other than as specified on the label .

We exclude all claims for special, incidental, and Consequential damages by breach of express or implied warranty. All liability is limited to amount of the purchase price. Every implied warranty, including any statutory warranty or condition of merchantability or fitness for particular purpose, is disclaimed except to the extent prohibited by law, in which case such warranty or condition is limited to the duration of this written warranty.

This warranty gives you specific legal rights. You may have other legal rights that vary depending on where you live. Some states or provinces do not allow limitations on implied warranties or special, incidental consequential damages, so tile foregoing limitations may not apply to you.

## Specifications

Product : ELECTRIC KETTLE

Model : MK-HJ1705A1

Rated voltage : 120V~

Rated frequency : 60Hz

Rated power : 1500W